



PIAGGIO & C.s.p.a.



CATALOGUS RESERVEONDERDELEN



V7 II Stone ABS 750 2015

Voorvoegsel frame: ZGULW100

Voorvoegsel motor:



Inhoudsopgave

Afgewerkte producten.....	4
Alfanumerieke inhoudsopgave.....	5
FRAME.....	10
Tafel 33.01 - Frame I.....	10
Tafel 33.02 - Frame II.....	11
Tafel 33.03 - Lateral stand.....	12
Tafel 33.04 - Front footrests.....	13
Tafel 33.05 - Rear footrests.....	14
Tafel 33.06 - Gear lever.....	15
Tafel 33.07 - Front fork I.....	16
Tafel 33.08 - Front fork II.....	17
Tafel 33.11 - Rear shock absorber.....	19
Tafel 33.12 - Fuel tank.....	20
Tafel 33.13 - Front body - Front mudguard.....	21
Tafel 33.14 - Saddle-Central bod.....	22
Tafel 33.15 - Rear body I- Mudguard.....	23
Tafel 33.16 - Rear body II- Plate holder.....	24
Tafel 33.17 - Dashboard.....	25
Tafel 33.18 - Handlebar - Controls.....	26
Tafel 33.19 - Front brake system.....	27
Tafel 33.21 - Fuel pump.....	28
Tafel 33.22 - Air box.....	29
Tafel 33.23 - Exhaust unit.....	30
Tafel 33.26 - Rear master cylinder.....	31
Tafel 33.27 - Rear brake caliper.....	32
Tafel 33.28 - Front lights.....	33
Tafel 33.29 - Rear lights.....	34
Tafel 33.30 - Electrical system I.....	35
Tafel 33.31 - Electrical system II.....	36
Tafel 33.32 - Lock hardware kit.....	37
Tafel 33.33 - Decal and plate set.....	38
Tafel 33.34 - Front wheel II.....	39
Tafel 33.35 - Rear wheel II.....	40
Tafel 33.36 - Reminstallatie ABS.....	41
ENGINE.....	42
Tafel 34.09 - Transmission complete I.....	42
Tafel 34.10 - Transmission complete II.....	43
Tafel 34.34 - Crank-case.....	46
Tafel 34.35 - Timing system cover.....	47
Tafel 34.36 - Cylinder head.....	48
Tafel 34.37 - Crankshaft cpl.....	49
Tafel 34.38 - Timing system.....	50
Tafel 34.39 - Oil pump.....	52



Tafel 34.40 - Clutch I.....	53
Tafel 34.41 - Clutch II.....	54
Tafel 34.42 - Transmission cage.....	55
Tafel 34.43 - Gear box.....	56
Tafel 34.44 - Gear box selector.....	57
Tafel 34.45 - Generator - Regulator.....	58
Tafel 34.46 - Starter motor.....	59
Tafel 34.47 - Throttle body.....	60



Afgewerkte producten

Code	Geldigheid
GU9032113AUE00	
GU9032113AUE01	
GU9032113EUE00	
GU9032113EUE01	
GU9032113EUE02	
GU9032113EUE03	
GU9032113EUE04	
GU9032113GBE00	
GU9032113GBE01	
GU9032113GBE02	
GU9032113GBE03	
GU9032113GBE04	
GU9032113JPE00	
GU9032113JPE01	



Code	N.Tafel	Pos.	Code	N.Tafel	Pos.	Code	N.Tafel	Pos.
	33.27	7	2B000909	33.12	14	2Q000056	33.33	7
080341	33.30	6	2B000971	34.47	19	2R000109	33.08	29
1A000360	34.43	5	2B000972	34.47	20	2R000110	33.08	4
1A000361	34.43	11	2B000975	33.01	1	2R000243	33.08	15
1A000365	34.43	14	2B000980	33.02	1	584211	33.31	10
1A000366	34.43	16	2B000988	33.02	2	638733	33.31	6
1A000367	34.43	20	2B000995	33.23	1	641040	33.30	8
1A000368	34.43	21	2B000996	33.23	2	641541	34.39	8
1A000369	34.43	22	2B001004	33.02	9	641725	33.30	7
1A000370	34.43	18	2B001008	33.02	8	641901	33.30	4
1A000436	34.43	8	2B001016	33.36	13	642034	33.30	3
1A000566	34.43	2	2B001031	34.47	14	658837	33.26	11
1A002604	34.43	7	2B001033	33.03	1	832029	33.30	14
248419	33.26	19	2B001035	33.01	10	834764	34.40	9
254485	33.15	4	2B001048	33.18	10	848650	34.40	3
254485	33.22	14	2B001049	33.18	24	849308	34.43	4
254485	33.23	20	2B001096	33.06	1	849309	34.43	17
254485	33.28	20	2B001101	33.17	8	849310	34.43	19
254485	34.45	10	2B001138	33.18	25	849396	34.43	12
285536	34.40	14	2B001197	33.19	13	849424	34.43	6
2A000085	34.35	1	2B001199	33.19	1	854973	33.36	8
2A000097	34.42	4	2B001202	33.18	3	857206	34.45	4
2A0000995	34.37	1	2B001230	33.02	10	857250	34.42	10
2A000115	34.45	6	2B001300	33.18	2	859792	33.34	14
2A000129	34.45	7	2B001342	33.21	2	859792	33.35	18
2A000146	34.38	1	2B001425	33.07	1	860651	34.09	19
2A000147	34.38	2	2B001555	33.36	5	862560	34.44	22
2A000196	34.42	16	2B001556	33.36	4	873905	34.40	8
2A000199	34.43	23	2B001557	33.36	2	873928	34.40	6
2A000202	34.43	24	2B001558	33.36	3	873928	34.42	8
2A000203	34.43	15	2B001561	33.34	16	874567	34.37	14
2A000204	34.41	12	2B001564	33.36	14	880260	34.47	4
2A000210	34.42	1	2B001570	33.36	21	883051	33.04	1
2A000216	34.41	13	2B001591	33.08	10	883052	33.04	2
2A000219	34.44	5	2B001597	33.26	13	883127	33.22	6
2A000222	34.44	12	2B001612	33.02	3	883161	33.31	11
2A000224	34.44	16	2B001614	33.36	15	883266	33.13	2
2A000225	34.44	19	2B001678	33.23	11	883293	33.23	15
2A000226	34.44	17	2B001679	33.23	10	883294	33.23	4
2A000227	34.44	18	2B001701	33.29	1	883295	33.14	5
2A000230	34.43	1	2B001708	33.34	15	883297	33.23	13
2A0002355	34.34	1	2B001783	33.15	12	883298	33.23	14
2A000241	34.40	17	2B001926	33.19	9	883417	33.28	18
2A000241	34.42	6	2B001927	33.19	8	883673	33.19	17
2A000306	34.42	5	2B001928	33.19	6	883688	33.34	10
2A000375	34.42	11	2B001929	33.19	7	883704	33.23	25
2A000376	34.41	20	2B001941	33.06	8	883826	34.34	18
2A000378	34.41	24	2B001959	34.09	11	884029	34.47	11
2A0003794	34.40	1	2B001998	33.18	26	884038	34.40	24
2A000383	34.41	1	2D000005	33.30	11	884039	34.39	7
2A000384	34.41	5	2D000006	33.32	10	884310	34.47	15
2A000385	34.41	6	2D000021	33.17	10	884311	34.47	13
2A000416	34.44	20	2D000022	33.17	9	886141	33.33	5
2A000438	34.42	17	2D000024	34.45	1	886340	33.33	1
2B000225	33.35	16	2D000043	34.45	2	88635200XN6	33.13	1
2B000229	33.27	1	2D000102	33.36	1	886365	34.34	10
2B000276	33.36	22	2D000108	33.30	1	886629	34.40	2
2B000348	33.05	13	2D000108	33.31	1	886670	34.37	11
2B000349	33.05	12	2H000413	33.33	3	887002	34.36	10
2B000377	33.35	17	2H000414000XN6	33.12	1	887003	34.35	2
2B000508	33.26	14	2H000414000YE6	33.12	1	887004	34.34	13
2B000525	33.27	6	2H000414000YG4	33.12	1	887093	34.39	9
2B000579	34.38	15	2H000414000YR2	33.12	1	887194	33.17	1
2B000840	33.14	16	2H000722000XN6	33.14	10	887207	33.12	1
2B000878	33.14	9	2H000723000XN6	33.14	17	8872690001	34.37	10
2B000880	33.14	1	2H000724	33.33	4	8872690002	34.37	10
2B000899	33.11	1	2L0002405	34.34	28	8872690003	34.37	10



Code	N.Tafel	Pos.	Code	N.Tafel	Pos.	Code	N.Tafel	Pos.
8872724	34.36	1	896110	33.23	21	AP8121032	33.15	13
8872754	34.36	2	897478	34.45	3	AP8121032	33.17	7
887279	34.36	24	898086	33.07	7	AP8121072	33.23	22
887443	33.33	9	898164	33.11	3	AP8121133	33.05	6
887448	33.35	12	898283	33.06	4	AP8121307	33.07	4
887481	33.30	12	959559	33.36	16	AP8121375	33.03	2
887483	34.36	25	967356	33.03	6	AP8121420	33.14	7
887523	34.36	9	969973	34.36	26	AP8121420	33.32	8
887528	34.38	27	974162	34.43	10	AP8121673	33.12	12
887571	33.34	1	974165	34.43	13	AP8124936	33.30	2
887573	33.35	1	976604	34.34	12	AP8127856	33.03	8
887787	33.21	5	976608	34.10	1	AP8134378	33.23	18
887815	33.22	13	976685	34.34	16	AP8134448	33.16	2
887826	33.28	4	976898	34.36	20	AP8134451	33.05	5
887826	33.29	4	976941	34.09	1	AP8144007	33.26	4
887827	33.28	5	977527	33.14	6	AP8144071	33.23	16
887827	33.29	5	977527	33.32	4	AP8144071	34.36	23
8878421	33.22	1	978311	33.28	2	AP8144081	33.07	5
887843	33.22	2	978385	33.23	12	AP8144146	33.07	3
887844	33.22	11	978415	33.14	8	AP8144553	33.22	7
887845	33.22	12	978415	33.32	9	AP8144729	33.22	17
887852	33.18	4	978662	33.28	2	AP8145034	33.04	3
887853	33.18	5	978940	33.14	10	AP8145035	33.04	10
887873	33.32	1	978943	33.14	17	AP8150015	33.36	12
887874	33.32	3	978946	33.15	1	AP8150045	34.40	11
887875	33.34	6	978946	33.15	1	AP8150178	33.34	17
887878	33.08	1	978947	33.15	2	AP8150349	33.32	6
887879	33.08	2	978949	33.16	1	AP8150377	33.28	13
887880	33.08	3	978960	33.18	1	AP8150436	33.02	12
887882	33.08	5	978969	33.26	3	AP8150450	33.14	12
887883	33.08	6	981149	33.28	12	AP8150451	33.36	19
887884	33.08	7	AP8101594	33.26	20	AP8150509	33.22	19
887885	33.08	8	AP8101595	33.12	10	AP8152043	33.19	4
887886	33.08	9	AP8101861	33.05	7	AP8152220	33.02	11
887888	33.08	11	AP8102375	33.14	15	AP8152220	34.39	18
887889	33.08	12	AP8102375	33.31	14	AP8152273	33.21	4
887890	33.08	13	AP8102520	33.22	27	AP8152277	33.04	7
887891	33.08	14	AP8102524	33.03	4	AP8152277	33.05	8
887893	33.08	16	AP8102766	33.22	23	AP8152278	33.11	2
887894	33.08	17	AP8102913	33.14	3	AP8152278	33.15	3
887895	33.08	18	AP8104509	33.18	9	AP8152279	33.15	9
887896	33.08	19	AP8104525	33.22	5	AP8152279	33.36	11
887898	33.08	21	AP8104924	33.22	4	AP8152281	34.45	9
887899	33.08	22	AP8113003	33.19	15	AP8152282	33.31	7
887900	33.08	23	AP8113003	33.36	7	AP8152286	33.34	11
887901	33.08	24	AP8113004	33.19	14	AP8152288	33.27	4
887902	33.08	25	AP8113004	33.36	6	AP8152298	33.26	18
887903	33.08	26	AP8113241	33.26	22	AP8152298	34.47	6
887904	33.08	27	AP8113288	33.26	16	AP8152299	33.15	14
887905	33.08	28	AP8113553	33.26	23	AP8152299	33.30	5
887908	33.26	26	AP8120030	33.36	10	AP8152306	33.16	5
887910	33.26	1	AP8120246	34.09	10	AP8152329	33.15	11
887911	33.26	24	AP8120311	33.01	13	AP8152329	33.22	18
887912	33.08	30	AP8120416	33.30	18	AP8152329	33.22	24
887913	33.08	31	AP8120416	33.31	19	AP8152339	33.14	14
887914	33.08	32	AP8120455	33.22	9	AP8152385	33.19	16
887915	33.08	33	AP8120557	33.12	11	AP8161054	33.22	15
887916	33.08	34	AP8120573	33.04	9	AP8181140	33.31	24
887930	33.33	2	AP8120573	33.05	9	AP8201358	33.22	3
887948	33.30	13	AP8120615	33.22	10	AP8213028	33.18	23
887952	33.26	27	AP8120772	33.22	20	AP8213057	33.26	15
890760	33.22	16	AP8120870	33.23	24	AP8213388	33.18	18
890979	33.28	16	AP8120876	33.22	8	AP8220283	33.31	22
894505	33.35	13	AP8120912	33.06	2	AP8220460	33.07	6
894704	33.31	26	AP8120912	33.26	2	AP8221023	33.22	25
895709	33.36	18	AP8121014	33.03	3	AP8221023	33.36	9
895839	33.33	8	AP8121032	33.15	10	AP8221197	33.03	5



Code	N.Tafel	Pos.	Code	N.Tafel	Pos.	Code	N.Tafel	Pos.
AP8221277	33.04	6	GU03101900	33.12	3	GU19055700	34.38	23
AP8224164	33.16	3	GU03102200	33.12	6	GU19058021	34.38	19
AP8224462	33.31	21	GU03102400	33.12	2	GU19058220	34.38	20
B013037	34.41	10	GU03103200	33.12	8	GU19062261	34.37	4
B013608	34.40	5	GU03103500	33.12	4	GU19065400	34.37	2
B013608	34.42	9	GU03163330	33.31	3	GU19067700	34.37	18
B015040	34.43	9	GU03609600	33.18	14	GU19083462	34.40	22
B015598	34.40	15	GU03617710	33.34	5	GU19146422	34.39	1
B016796	34.47	5	GU03617710	33.35	6	GU19152200	34.39	11
B017406	34.40	12	GU03658201	33.36	20	GU19206501	34.10	10
B017470	34.43	3	GU03658330	33.36	17	GU19213760	34.41	15
B018020	34.40	13	GU03740930	33.29	2	GU19327601	34.09	5
B018448	34.40	16	GU03749845	33.19	5	GU19328801	34.09	3
B043850	33.31	23	GU03922280	34.09	23	GU19350700	34.10	22
B063016	34.37	13	GU05107430	33.21	3	GU19351100	34.10	4
B063022	33.23	3	GU05217630	34.41	18	GU19351900	34.10	2
B063025	34.42	15	GU05234230	34.44	9	GU19352300	34.10	23
B063025	34.44	21	GU05234631	34.44	13	GU19353500	34.10	24
B063049	34.47	2	GU05235531	34.44	14	GU19355200	34.10	35
B063099	34.36	19	GU05238131	34.44	3	GU19355202	34.10	36
B063111	34.36	6	GU05238231	34.44	6	GU19355300	34.10	33
B063132	33.04	13	GU05238431	34.44	7	GU19355301	34.10	33
B063135	33.18	6	GU05239330	34.44	1	GU19355302	34.10	33
B063233	33.31	5	GU05659230	33.19	10	GU19355303	34.10	33
B063269	34.42	3	GU05730730	34.46	1	GU19355304	34.10	33
B063287	33.01	4	GU05900130	33.33	6	GU19355305	34.10	33
B063431	33.14	11	GU06740400	33.28	17	GU19355306	34.10	33
B063443	33.26	28	GU10528900	34.34	15	GU19355307	34.10	33
B063465	34.37	15	GU12003702	34.34	20	GU19355308	34.10	33
B063466	34.37	16	GU12022600	34.10	6	GU19355309	34.10	33
B063735	33.28	14	GU12022600	34.40	10	GU19355320	34.10	27
B063735	33.29	6	GU12154200	34.34	23	GU19355321	34.10	27
B063752	33.21	1	GU13021900	34.34	26	GU19355322	34.10	27
B063956	34.44	4	GU13021900	34.36	12	GU19355323	34.10	27
B063975	33.18	15	GU14085900	34.41	17	GU19355324	34.10	27
B064112	34.44	8	GU14086100	34.41	7	GU19355325	34.10	27
B064113	34.44	11	GU14090400	34.41	2	GU19355326	34.10	27
CM001928	33.07	8	GU14217901	34.40	25	GU19355327	34.10	27
CM001929	33.07	9	GU14609650	33.30	20	GU19355328	34.10	27
CM0074C9	33.30	10	GU14609650	33.31	19	GU19355329	34.10	27
CM0074D0	33.30	9	GU14615901	33.05	15	GU19355400	34.10	21
CM013202	33.31	25	GU14615901	33.13	5	GU19355402	34.10	21
CM225705	33.31	15	GU14615901	34.09	20	GU19355404	34.10	21
CM225710	33.31	16	GU14615901	34.37	5	GU19355406	34.10	21
CM225715	33.31	17	GU14616150	33.34	7	GU19355408	34.10	21
CM225720	33.31	20	GU14616150	33.35	10	GU19355410	34.10	21
CM225730	33.31	18	GU18144350	34.39	16	GU19355411	34.10	21
CM228306	34.47	1	GU18161150	34.39	21	GU19355412	34.10	21
CM228401	33.04	8	GU18257551	33.26	8	GU19355413	34.10	21
CM228401	33.05	4	GU19002020	34.35	5	GU19356700	34.10	30
CM258303	33.22	22	GU19002020	34.42	2	GU19356760	34.41	16
GU00823923140	33.03	7	GU19003800	34.34	8	GU19356801	34.10	28
GU00823931055	33.28	19	GU19007700	34.45	8	GU19357660	34.10	25
GU00823944050	33.12	13	GU19015020	34.34	5	GU19547000	34.09	12
GU00823950050	33.26	21	GU19017000	33.02	4	GU20147710	34.39	17
GU01528930	34.10	9	GU19018920	34.39	10	GU20147810	34.39	3
GU01528930	34.42	18	GU19021360	34.36	18	GU20148410	34.39	4
GU01609630	33.18	14	GU19021920	34.36	7	GU20148610	34.39	5
GU01659130	33.19	11	GU19025280	33.23	5	GU20258221	33.06	9
GU01659131	33.19	12	GU19025460	33.23	6	GU20352421	34.10	31
GU01665410	33.26	25	GU19030500	34.38	7	GU20355121	34.10	34
GU03013800	33.06	7	GU19032080	34.38	10	GU23217800	34.38	3
GU03013800	33.23	8	GU19032980	34.36	17	GU23328081	34.09	7
GU03013800	34.47	10	GU19032980	34.38	14	GU23548080	34.09	8
GU03067730	34.10	19	GU19034000	34.38	8	GU23548180	34.09	9
GU03101600	33.12	7	GU19037820	34.36	8	GU23943410	33.08	35
GU03101720	33.12	5	GU19045861	34.38	25	GU27037521	34.38	4

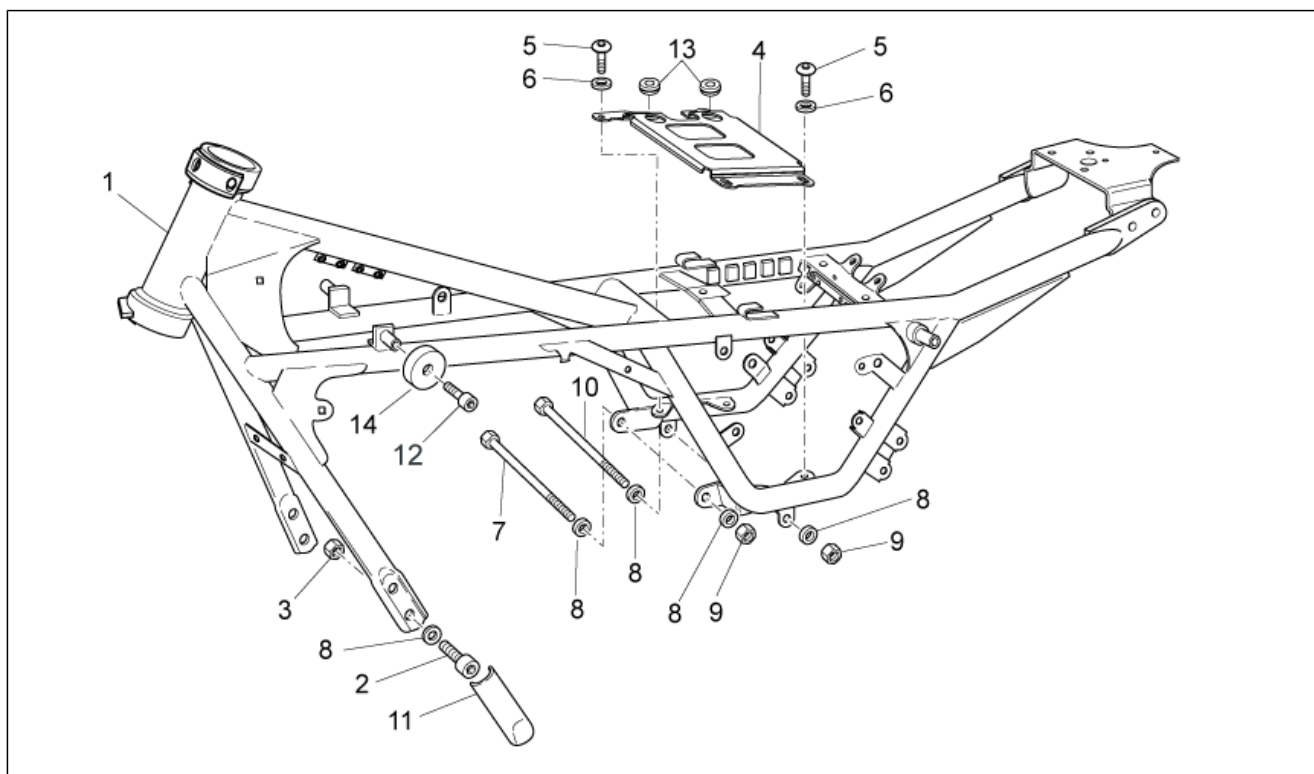


Code	N.Tafel	Pos.	Code	N.Tafel	Pos.	Code	N.Tafel	Pos.
GU27061585	34.37	3	GU32603010	33.18	16	GU92249220	34.10	32
GU27061885	34.37	17	GU32603310	33.18	7	GU92249225	33.07	2
GU27062060	34.37	6	GU32615660	33.34	8	GU92249227	34.10	20
GU27065660	34.37	7	GU32632510	33.35	9	GU92252210	34.39	2
GU27066460	34.37	9	GU32633360	33.35	14	GU92252235	34.10	5
GU27066560	34.37	8	GU32633560	34.10	11	GU92296723	34.39	6
GU27152885	34.34	22	GU32634160	33.27	5	GU92602406	34.38	9
GU27153085	34.39	14	GU32636160	33.35	7	GU92602510	34.39	19
GU27633910	33.35	4	GU32735510	33.32	5	GU92603010	34.36	11
GU29729461	33.31	2	GU32747910	33.31	9	GU92606206	33.17	6
GU29759150	33.18	17	GU32753410	33.28	3	GU92606208	34.34	7
GU30577800	33.29	13	GU32753410	33.29	8	GU92606210	33.01	9
GU30577800	34.47	17	GU32782510	33.32	2	GU92606210	33.02	5
GU30601060	33.18	13	GU32999010	34.34	25	GU92606210	33.11	7
GU30602500	33.18	22	GU32999510	34.34	24	GU92606210	34.09	18
GU31003766	34.10	8	GU35214300	34.09	13	GU92606316	33.35	11
GU31003766	34.34	14	GU49609601	33.30	19	GU92606508	34.41	21
GU31016050	34.39	20	GU49609601	33.31	19	GU92609007	33.26	12
GU31037015	34.38	13	GU61027200	34.37	12	GU92630108	33.15	8
GU31038015	34.38	5	GU61036801	34.36	3	GU92630206	33.26	6
GU31045015	34.38	26	GU61038100	34.38	6	GU92630207	33.34	18
GU31112965	33.22	26	GU61054900	34.38	18	GU92630510	33.01	3
GU31121880	33.23	9	GU61270300	34.10	26	GU92630707	33.06	5
GU31150950	34.39	26	GU61270300	34.34	6	GU92640508	33.23	19
GU31159050	34.39	15	GU61270300	34.36	21	GU92660021	33.26	7
GU31327783	34.09	2	GU66103415	33.01	14	GU92787006	33.28	6
GU31439565	33.13	4	GU90271014	34.44	2	GU92787006	33.29	11
GU31513480	33.08	20	GU90271018	34.38	12	GU93180105	34.09	21
GU31544181	33.27	3	GU90271022	34.44	15	GU93180111	33.34	13
GU31544181	34.09	15	GU90272023	34.09	4	GU93180245	34.36	22
GU31547882	34.09	14	GU90272075	34.40	21	GU93222023	33.17	4
GU31614183	33.34	9	GU90353009	34.36	4	GU93231605	33.29	14
GU31615283	33.34	2	GU90353014	34.44	10	GU93231605	34.47	16
GU31616384	33.34	12	GU90353029	34.38	24	GU93301175	33.23	26
GU31634281	33.27	2	GU90353030	34.10	17	GU93450105	33.28	9
GU31634481	33.35	15	GU90401424	34.42	14	GU93450126	33.28	15
GU31659181	33.27	9	GU90402538	33.35	2	GU93450126	33.29	7
GU31659281	33.27	8	GU90402642	33.34	4	GU93450224	33.29	3
GU31740383	33.28	11	GU90403251	34.10	38	GU93450232	33.28	10
GU32032310	34.38	11	GU90403549	34.10	3	GU94321079	34.39	24
GU32053410	34.38	16	GU90407591	34.10	15	GU94321099	34.09	6
GU32054510	34.38	17	GU90412541	34.42	13	GU94321105	34.41	23
GU32067910	34.40	19	GU90706076	34.34	9	GU95005306	33.17	3
GU32080310	34.40	23	GU90706111	34.39	22	GU95005308	33.26	9
GU32084410	34.40	20	GU90706141	33.30	17	GU95005308	33.28	23
GU32115010	34.47	3	GU90706170	34.41	19	GU95005308	34.09	22
GU32115011	34.47	8	GU90706188	34.10	29	GU95005310	33.15	7
GU32115510	34.47	7	GU90706203	34.10	7	GU95005310	33.26	5
GU32121010	33.23	7	GU90706203	34.40	26	GU95008205	33.30	16
GU32350410	34.10	13	GU90706235	34.41	14	GU95008206	34.39	23
GU32351410	34.10	16	GU90706281	34.34	19	GU95008208	33.01	6
GU32354610	34.10	18	GU90706444	34.34	17	GU95008208	34.46	3
GU32434460	33.13	1	GU90706584	34.10	37	GU95008210	33.01	8
GU32441210	33.04	5	GU91113826	33.23	23	GU95008210	33.02	6
GU32441210	33.05	3	GU91120806	33.15	6	GU95008210	33.31	4
GU32442310	33.05	1	GU91181003	33.18	11	GU95008210	34.09	17
GU32442710	33.05	10	GU91181003	33.19	3	GU95008305	33.18	20
GU32443210	33.04	4	GU91551010	33.22	21	GU95008306	34.40	18
GU32443210	33.05	2	GU91551086	33.14	13	GU95020105	33.03	10
GU32443211	33.04	11	GU92201070	34.10	14	GU95021104	33.19	2
GU32443211	33.05	11	GU92201226	34.40	4	GU95021105	33.18	21
GU32457810	33.01	11	GU92201226	34.42	7	GU95021206	33.17	5
GU32461610	33.14	2	GU92201822	34.40	7	GU95021206	33.28	8
GU32506360	33.28	1	GU92201822	34.42	12	GU95021206	33.29	10
GU32517710	33.31	8	GU92204217	33.35	5	GU95100059	33.31	13
GU32555210	33.11	4	GU92204218	33.35	3	GU95100116	34.47	12
GU32555211	33.11	5	GU92204221	33.34	3	GU95100125	34.45	11



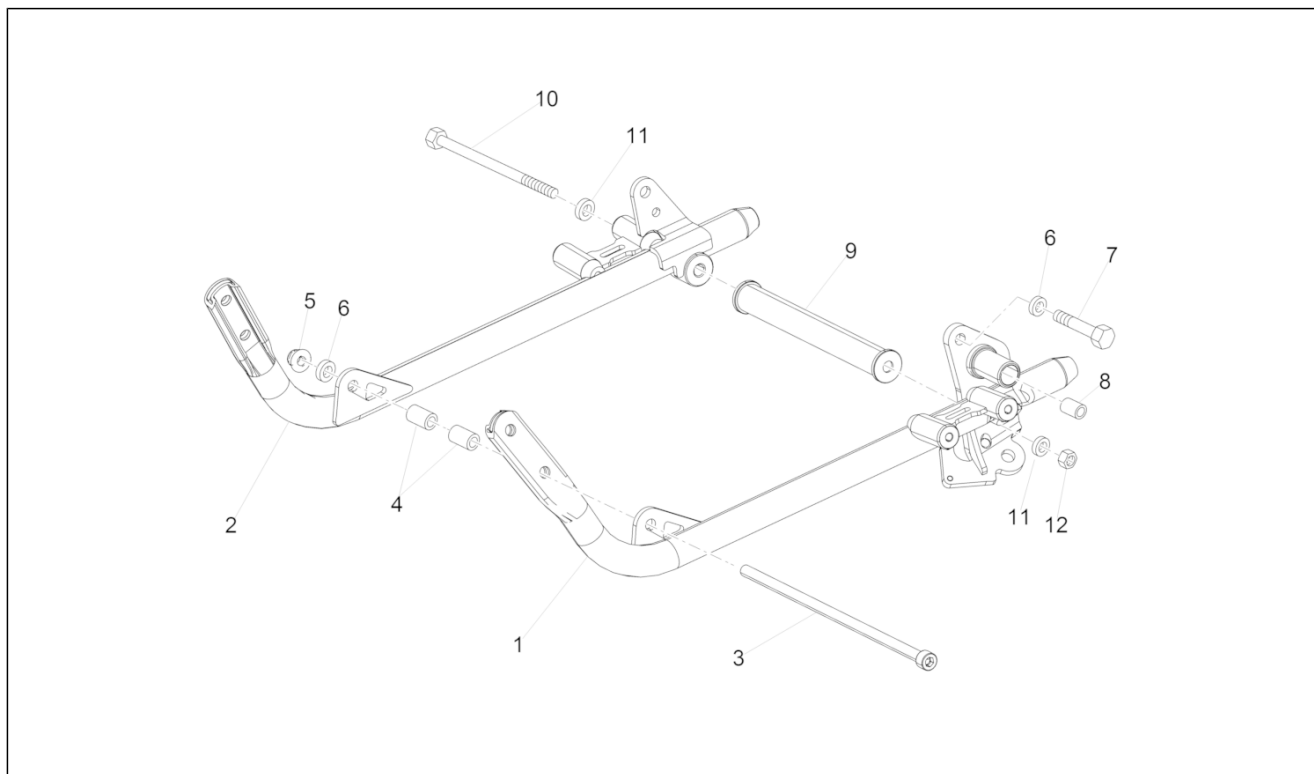
Code	N.Tafel	Pos.
GU95100244	34.38	29
GU95100309	34.39	27
GU95100602	34.39	25
GU95100709	34.34	21
GU95129115	34.38	22
GU95129180	34.34	27
GU95129180	34.36	13
GU95129181	33.11	6
GU95129260	33.06	3
GU95187006	34.39	13
GU95500221	33.26	10
GU95500222	34.41	22
GU96451430	34.34	3
GU96451560	34.34	2
GU96506042	34.36	5
GU96508055	34.10	12
GU96508055	34.34	4
GU96510181	34.36	15
GU96510214	34.36	14
GU97202325	33.18	12
GU98054422	34.38	28
GU98082565	33.02	7
GU98084314	34.39	12
GU98110199	33.01	7
GU98210612	33.23	27
GU98230510	33.16	4
GU98230510	33.18	19
GU98350215	33.29	12
GU98350416	33.01	5
GU98370515	34.47	18
GU98370609	33.17	2
GU98370625	33.14	4
GU98370625	33.26	17
GU98370655	33.28	7
GU98370655	33.29	9
GU98370845	33.13	3
GU98612216	33.03	9
GU98612216	33.35	8
GU98622322	34.47	9
GU98632322	33.06	6
GU98680545	34.09	16
GU98682212	33.30	15
GU98682212	33.31	12
GU98682212	34.45	5
GU98682312	33.35	19
GU98682325	34.34	11
GU98682325	34.35	3
GU98682330	34.35	4
GU98682414	33.01	12
GU98682416	33.04	12
GU98682416	33.05	14
GU98682416	33.32	7
GU98682430	33.12	9
GU98682435	34.46	2
GU98682530	33.01	2
GU98690335	33.11	8
GU98690335	33.18	8
GU98690435	33.15	5
GU98690440	33.23	17
GU98692325	34.36	16
GU98692414	33.17	11
GU98692420	33.28	22
GU98880540	33.28	21
GU98882316	34.38	21

Groep	FRAME
Code	33.01
Beschrijving	Frame I
Revisie	1



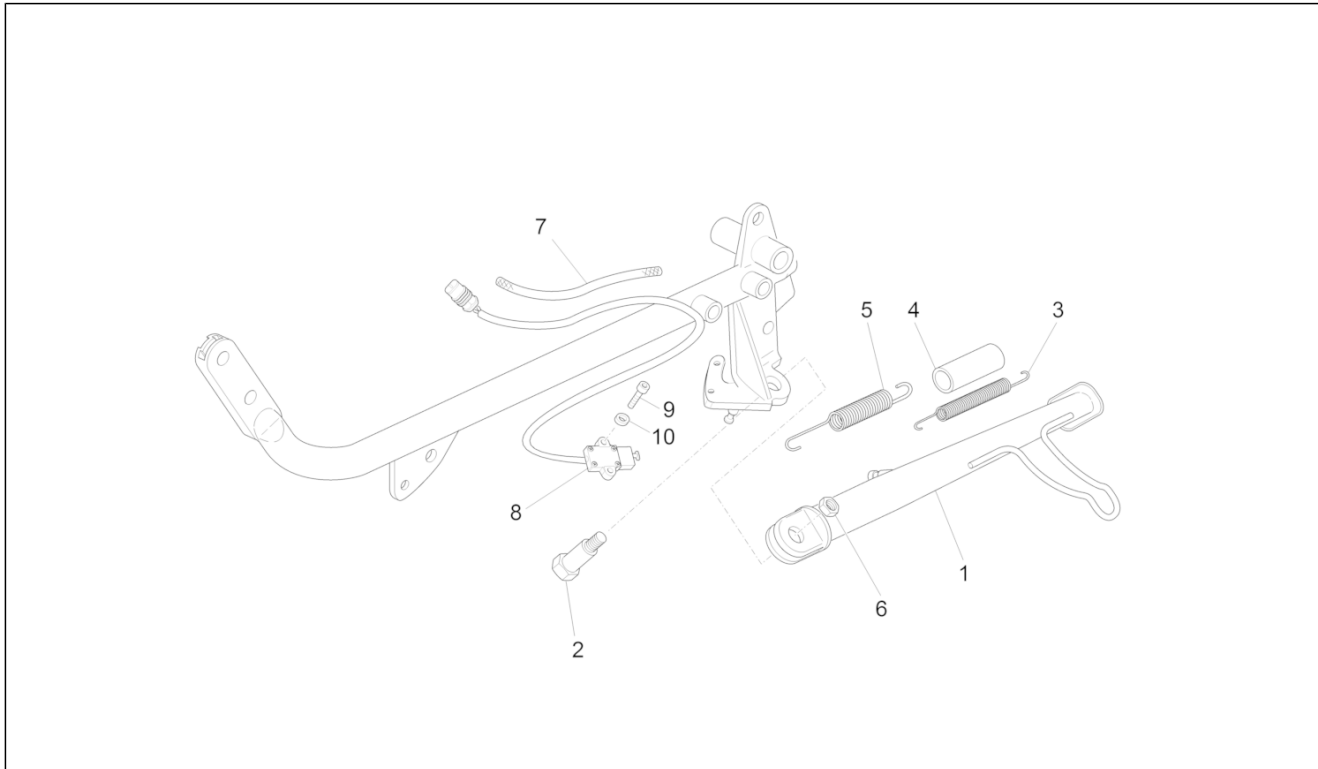
Pos.	Code	Beschrijving	Aant.	Varianten
1	2B000975	Frame v.zwart	1	
2	GU98682530	Binnenzeskantbout M10x30	4	
3	GU92630510	Moer M10x1,5	4	
4	B063287	Verbindingsplaat frame	1	
5	GU98350416	Bolbout met binnenzeskant M8x16	4	
6	GU95008208	Sluitring 8,4X15X1,5	4	
7	GU98110199	Pin M10x205	1	
8	GU95008210	Sluitring 10,2X18X2	11	
9	GU92606210	Moer M10x1,5	3	
10	2B001035	Pin 234X10	2	
11	GU32457810	Bescherming	2	
12	GU98682414	Binnenzeskantbout	2	
13	AP8120311	Rubbetje *	2	
14	GU66103415	Rubbetje	2	

Groep	FRAME
Code	33.02
Beschrijving	Frame II
Revisie	1



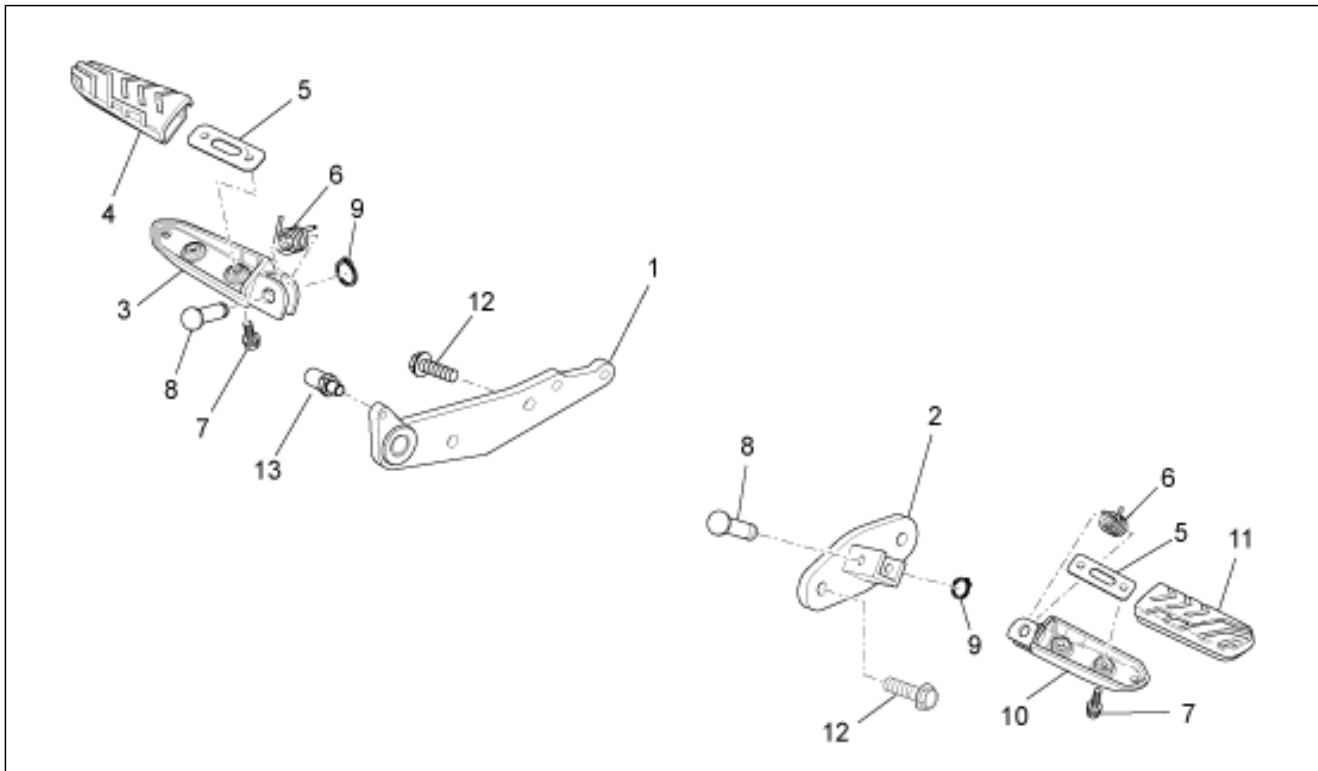
Pos.	Code	Beschrijving	Aant.	Varianten
1	2B000980	Braccio culla SX	1	
2	2B000988	Braccio culla DX	1	
3	2B001612	Pin M10X199	1	
4	GU19017000	Beslagring	2	
5	GU92606210	Moer M10x1,5	3	
6	GU95008210	Sluitring 10,2X18X2	3	
7	GU98082565	Bout M10x65	2	
8	2B001008	Huls	1	
9	2B001004	Dwarsbalkje	1	
10	2B001230	Pin 278X10	1	
11	AP8152220	Gekart. sluitring	2	
12	AP8150436	Zelfborg. moer laag	1	

Groep	FRAME
Code	33.03
Beschrijving	Lateral stand
Revisie	1



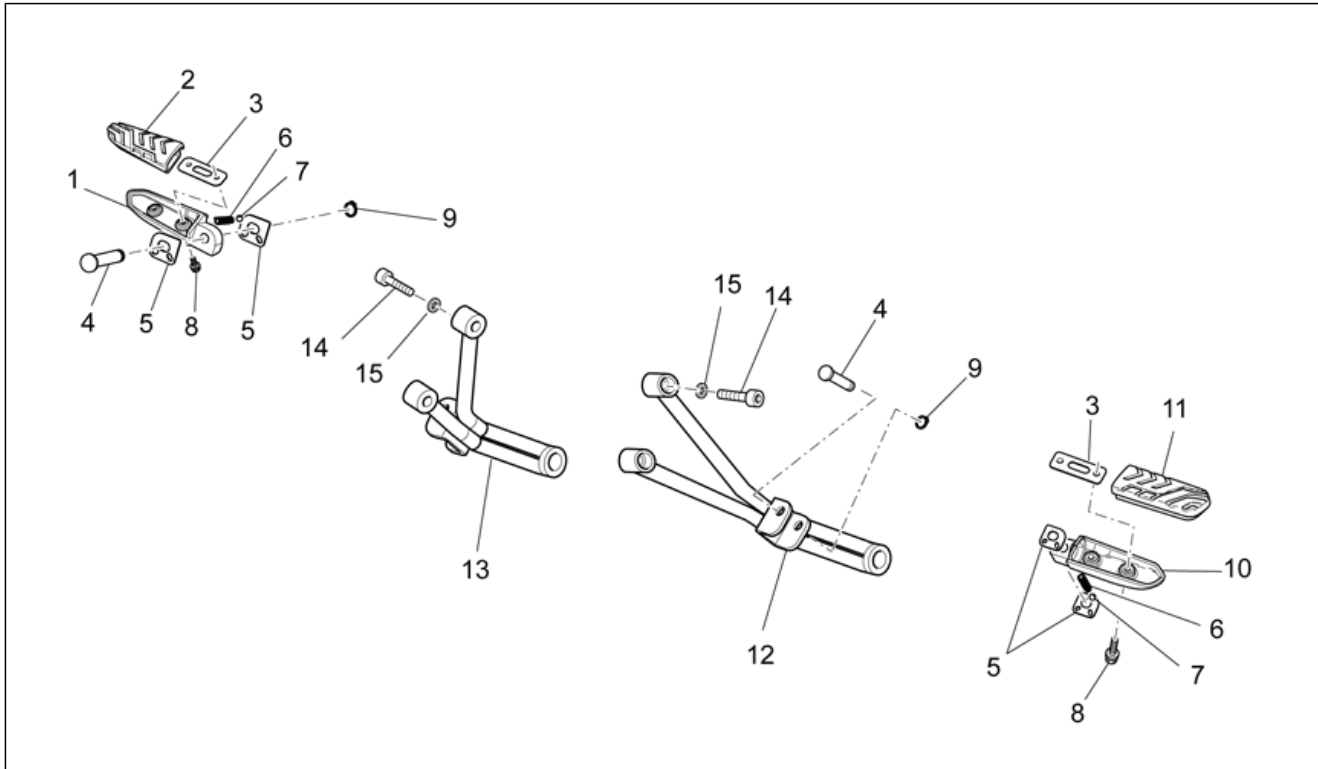
Pos.	Code	Beschrijving	Aant.	Varianten
1	2B001033	Laterale standaard	1	
2	AP8121375	Bout standaard	1	
3	AP8121014	Spiraalveer cilind.aandr. *	1	
4	AP8102524	Bescherming veer standaard	1	
5	AP8221197	Trekveer standaard	1	
6	967356	Moer geflenst M10x1,25	1	
7	GU00823923140	Thermische gaine	1	
8	AP8127856	Schakelaar standaard	1	
9	GU98612216	Binnenzeskantbout	2	
10	GU95020105	Sluitring 5,3x8,9x2,4	2	

Groep	FRAME
Code	33.04
Beschrijving	Front footrests
Revisie	1



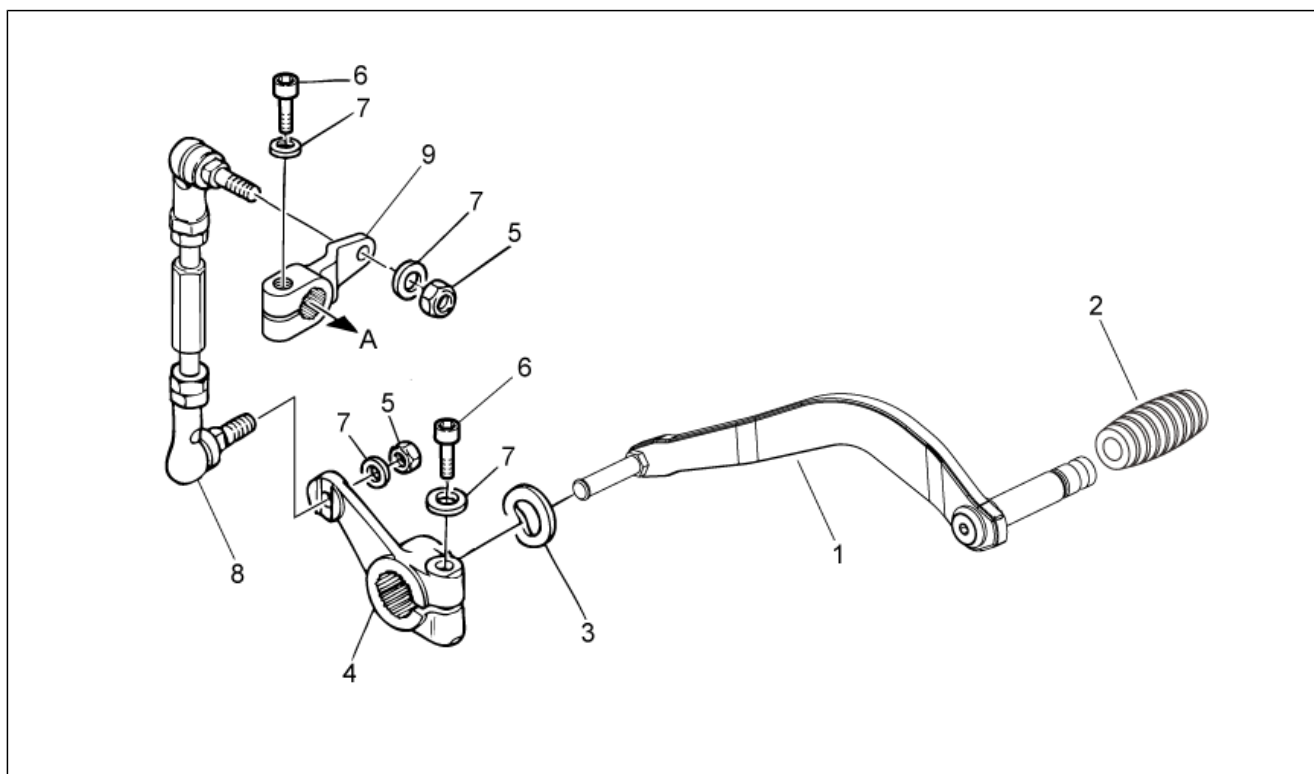
Pos.	Code	Beschrijving	Aant.	Varianten
1	883051	Steun voetenst. re	1	
2	883052	Steun voetenst. li	1	
3	AP8145034	Voetensteun bestuurder re	1	
4	GU32443210	Rubber	1	
5	GU32441210	Plaatje	2	
6	AP8221277	Trekveer voetensteun	2	
7	AP8152277	Zeskantbout geflenst M6x12	4	
8	CM228401	Pin voetensteun	2	
9	AP8120573	Blokkeerring radiaal	2	
10	AP8145035	Voetensteun bestuurder li	1	
11	GU32443211	Rubber	1	
12	GU98682416	Binnenzeskantbout M8x16	4	
13	B063132	Limit stop	1	

Groep	FRAME
Code	33.05
Beschrijving	Rear footrests
Revisie	1



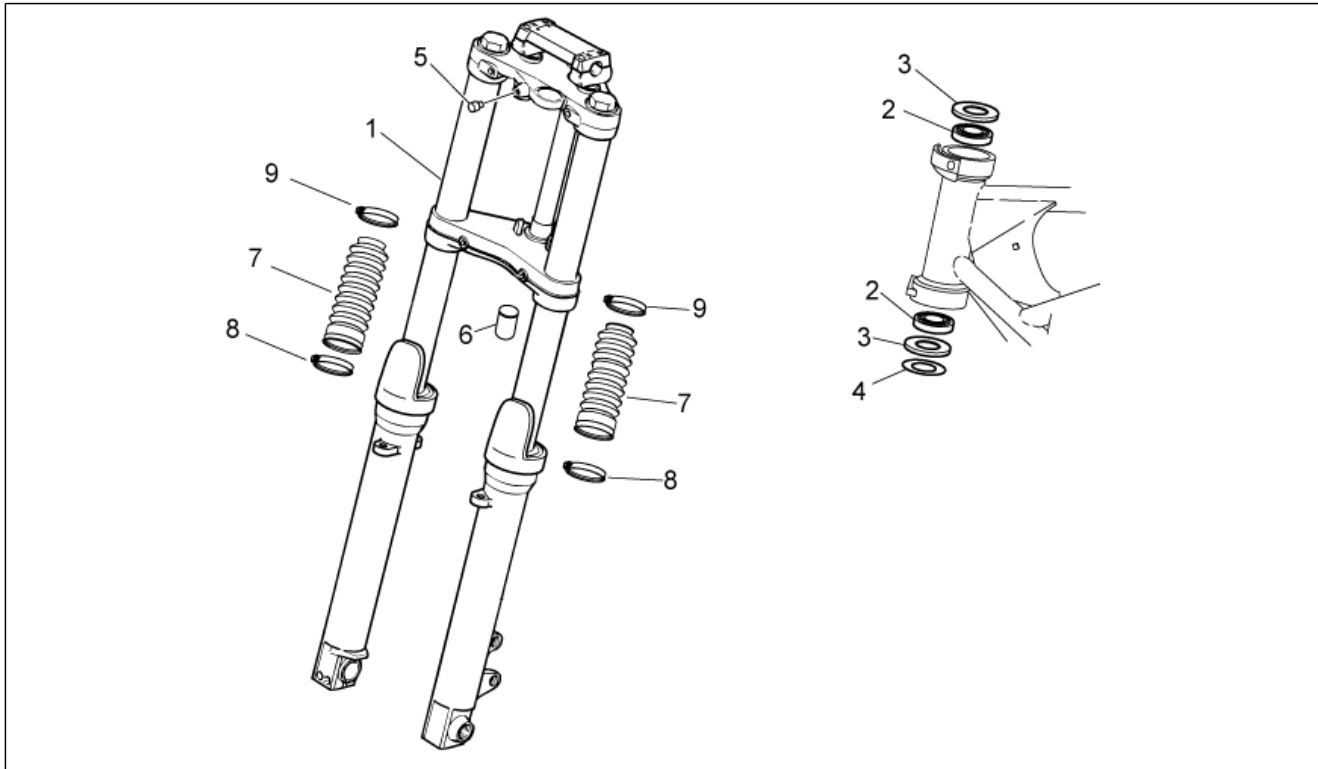
Pos.	Code	Beschrijving	Aant.	Varianten
1	GU32442310	Voetenst.pass. re	1	
2	GU32443210	Rubber	1	
3	GU32441210	Plaatje	2	
4	CM228401	Pin voetensteun	2	
5	AP8134451	Plaat eindeloop voetensteun	4	
6	AP8121133	Spiraalveer cilind.compr.	2	
7	AP8101861	Bol D6,35	2	
8	AP8152277	Zeskantbout geflenst M6x12	4	
9	AP8120573	Blokkeerring radiaal	2	
10	GU32442710	Voetenst. pass.li	1	
11	GU32443211	Rubber	1	
12	2B000349	Supporto pedane passeggero sx con Pi	1	
13	2B000348	Supporto pedane passeggero dx con Pi	1	
14	GU98682416	Binnenzeskantbout M8x16	4	
15	GU14615901	Sluitring 8,4X13X0,8	4	

Groep	FRAME
Code	33.06
Beschrijving	Gear lever
Revisie	1



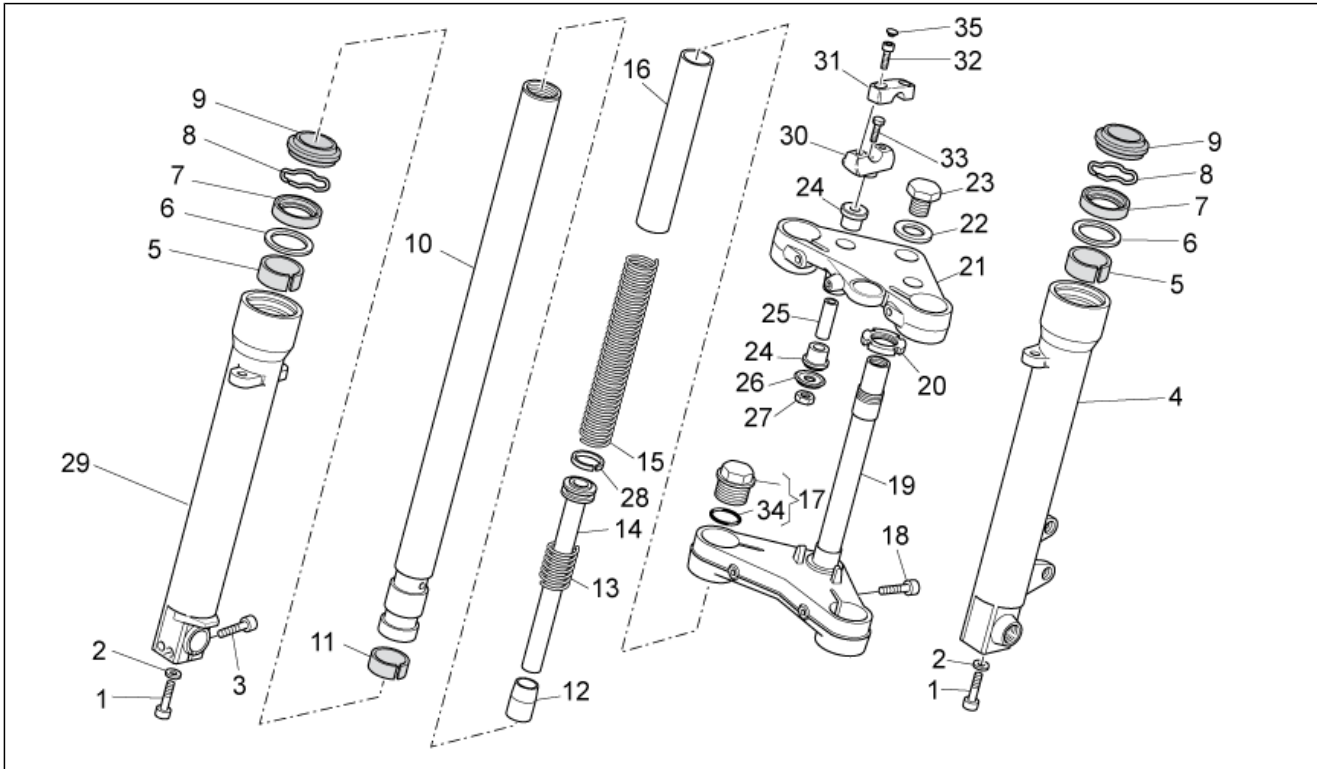
Pos.	Code	Beschrijving	Aant.	Varianten
1	2B001096	Versnellingshendel	1	
2	AP8120912	Rubbertje voor hendel	1	
3	GU95129260	Elastische sluitring	2	
4	898283	Gear change lever	1	
5	GU92630707	Moer	2	
6	GU98632322	Bout	2	
7	GU03013800	Sluitring 6,4x12	3	
8	2B001941	Trekker commando versn.bak	1	
9	GU20258221	Hendel voorschakelaar	1	

Groep	FRAME
Code	33.07
Beschrijving	Front fork I
Revisie	1



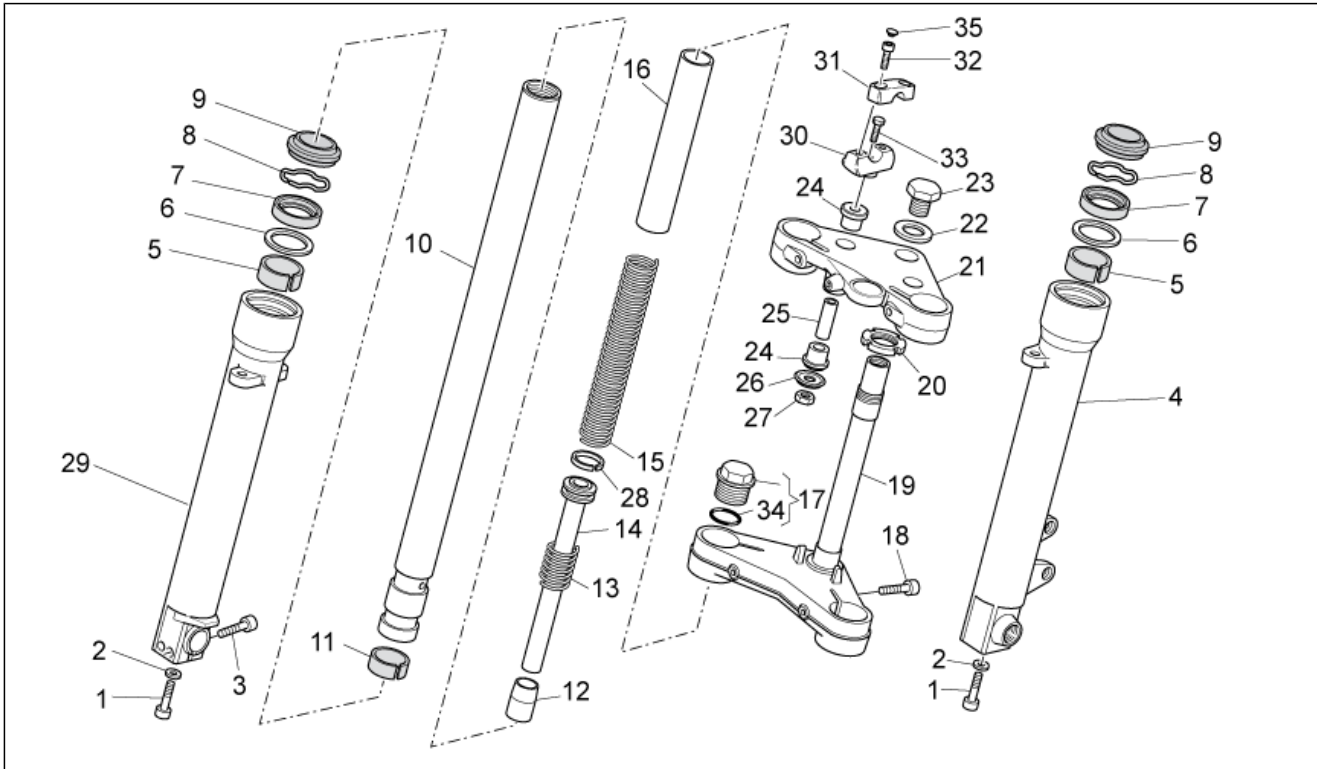
Pos.	Code	Beschrijving	Aant.	Varianten
1	2B001425	Voorvork cpl.	1	
2	GU92249225	Conische kogellager	2	
3	AP8144146	Dichtingsring	1	
4	AP8121307	Sluitring	1	
5	AP8144081	Rubbetje	1	
6	AP8220460	Plaatje in rubber	1	
7	898086	Blower vork	2	
8	CM001928	Klembandje buis 44	2	
9	CM001929	Fascetta stringitubo 63.5	2	

Groep	FRAME
Code	33.08
Beschrijving	Front fork II
Revisie	1



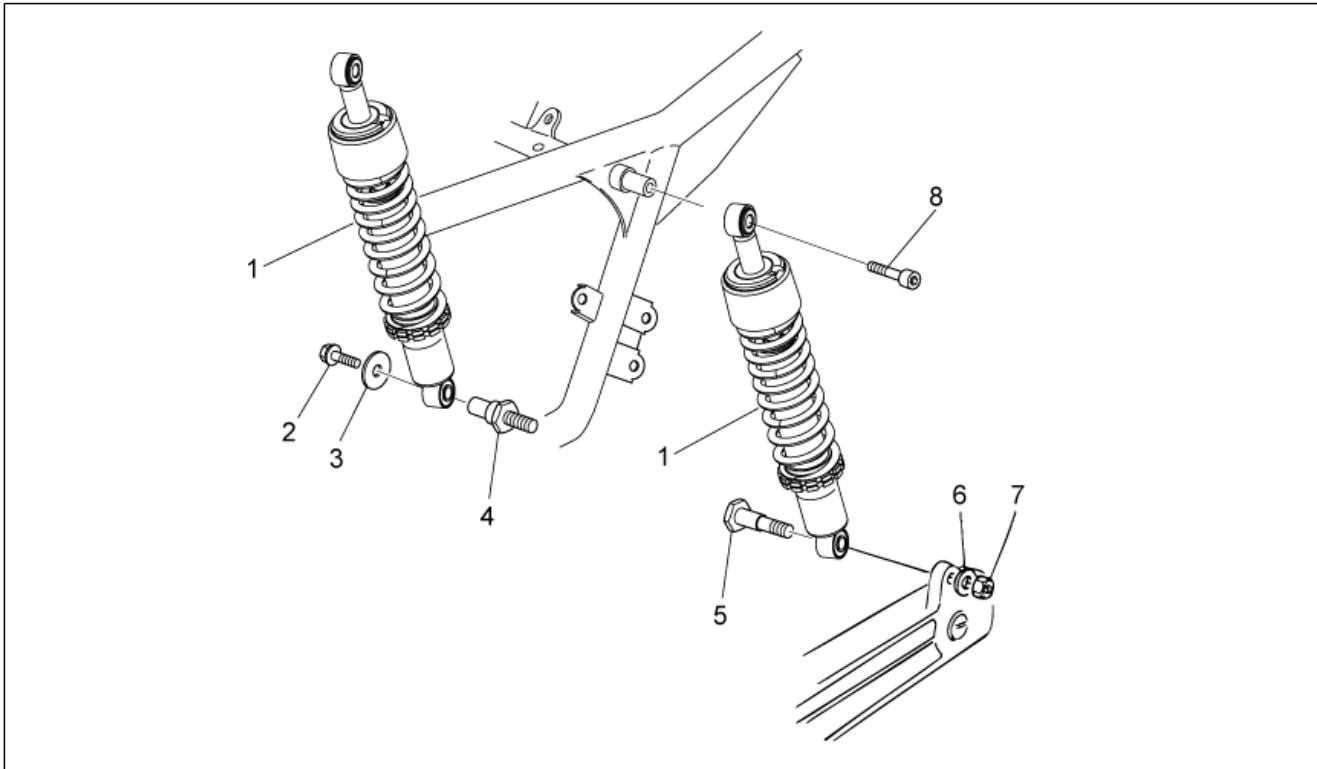
Pos.	Code	Beschrijving	Aant.	Varianten
1	887878	Bout M10x30	2	
2	887879	Sluitring	2	
3	887880	Bout	2	
4	2R000110	Hulsel li	1	
5	887882	Huls bov.	2	
6	887883	Sluitring	2	
7	887884	Dichtingsring	2	
8	887885	Blokkeerring	2	
9	887886	Stofkeerring	2	
10	2B001591	Stang	2	
11	887888	Huls	2	
12	887889	Buffer	2	
13	887890	Tegenveer	2	
14	887891	Pompend deel cpl.	2	
15	2R000243	Veer	2	
16	887893	Buis	2	
17	887894	Dop cpl.	2	
18	887895	Bout	2	
19	887896	Basis met kop	1	
20	GU31513480	Moer M25X1	1	
21	887898	Plaat bov.	1	
22	887899	Sluitring	1	
23	887900	Moer	1	
24	887901	Rubbetje	4	
25	887902	Afstandhouder	2	
26	887903	Klepsteel keerring	2	
27	887904	Moer	2	
28	887905	Segment	2	

Groep	FRAME
Code	33.08
Beschrijving	Front fork II
Revisie	1



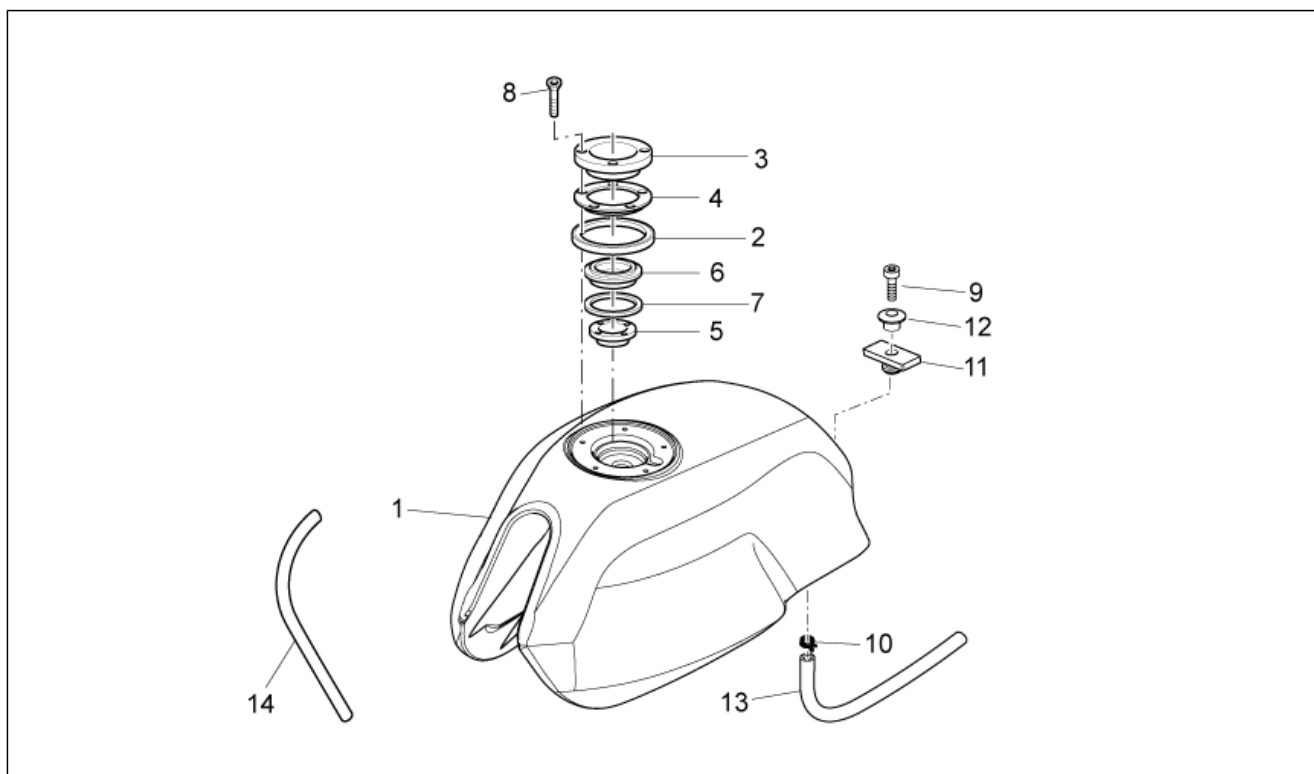
Pos.	Code	Beschrijving	Aant.	Varianten
29	2R000109	Hulsel re	1	
30	887912	Beugel ond.	2	
31	887913	Standaard bov.	2	
32	887914	Bout M8x30	4	
33	887915	Bout M10x60	2	
34	887916	OR-ring 4118	2	
35	GU23943410	Dop verchr.	4	

Groep	FRAME
Code	33.11
Beschrijving	Rear shock absorber
Revisie	1



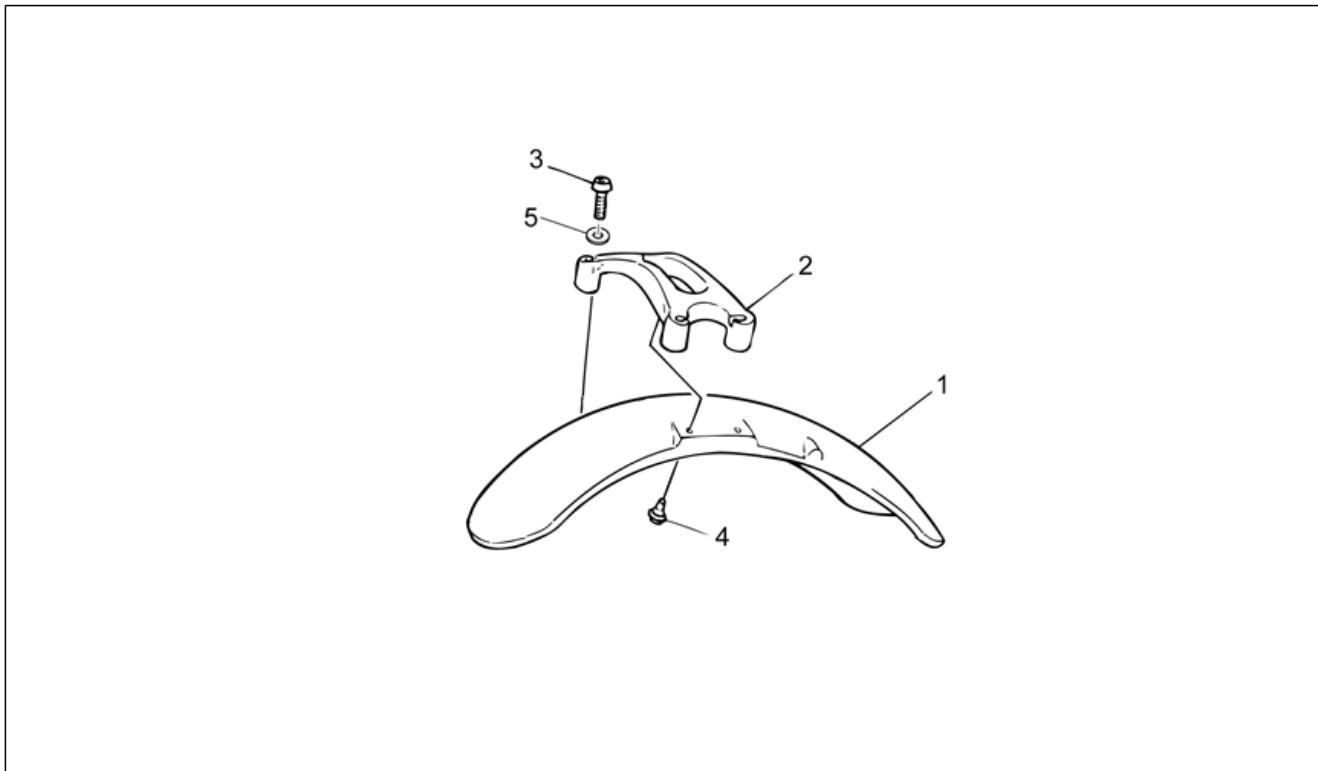
Pos.	Code	Beschrijving	Aant.	Varianten
1	2B000899	Schokdemper acht.	2	
2	AP8152278	Zeskantbout geflenst M6x16	1	
3	898164	Afstandhouder schokdemper	1	
4	GU32555210	Pin	1	
5	GU32555211	Pin	1	
6	GU95129181	Sluitring gegolfd	1	
7	GU92606210	Moer M10x1,5	1	
8	GU98690335	Binnenzeskantbout	2	

Groep	FRAME
Code	33.12
Beschrijving	Fuel tank
Revisie	1



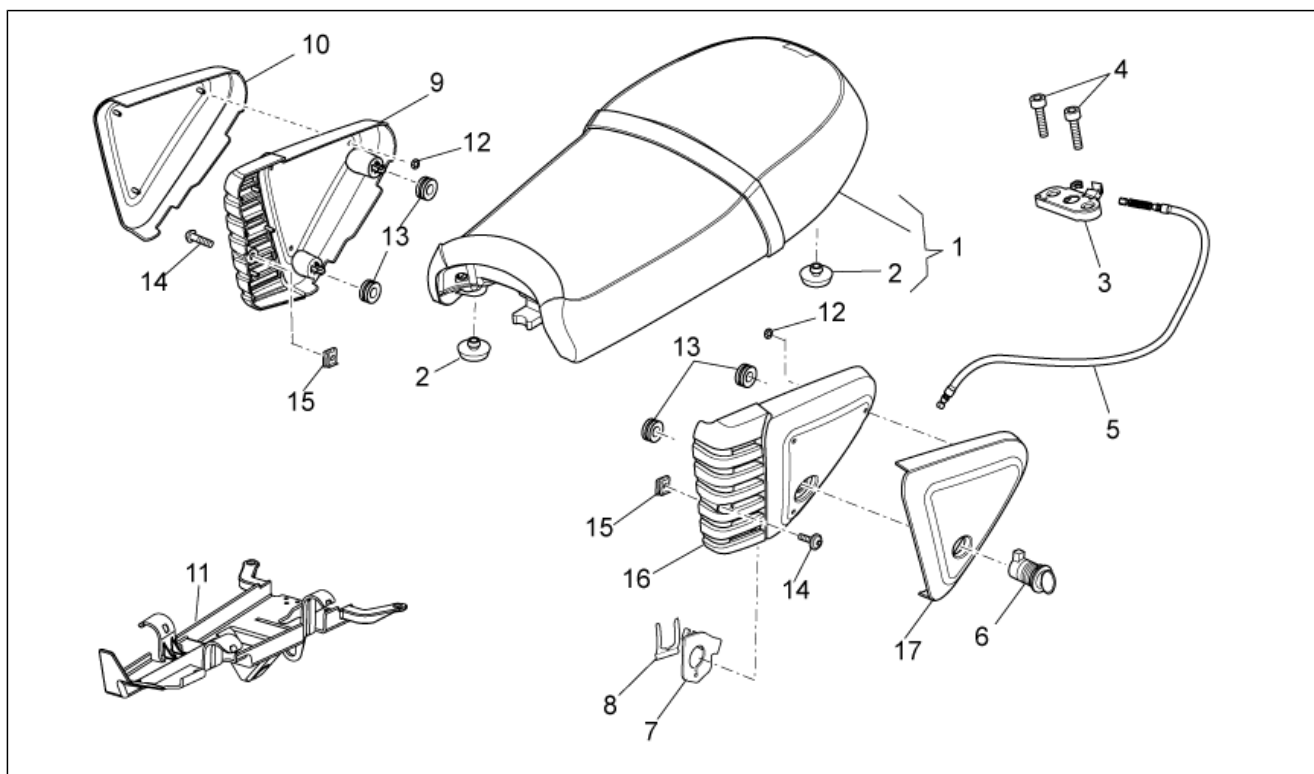
Pos.	Code	Beschrijving	Aant.	Varianten
1	2H000414000XN6	Benzinetank v.zwart	1	Kleur van het voertuig: Zwart Diablo[ND] Technische specificaties: Met decalco[D]
1	2H000414000YE6	Benzinetank v.grijs	1	Kleur van het voertuig: Grigio York[GY] Technische specificaties: Met decalco[D]
1	2H000414000YG4	Benzinetank v.geel	1	Kleur van het voertuig: Giallo Melon[GM] Technische specificaties: Met decalco[D]
1	2H000414000YR2	Benzinetank v.rood	1	Kleur van het voertuig: Rood Ibis[RI] Technische specificaties: Met decalco[D]
1	887207	Tank ruwe benzine	1	Kleur van het voertuig:
2	GU03102400	Pakking flens	1	
3	GU03101900	Flens	1	
4	GU03103500	Ring	1	
5	GU03101720	Reductie 38 mm	1	
6	GU03102200	Moer dop	1	
7	GU03101600	Pakking	2	
8	GU03103200	Bout	5	
9	GU98682430	Binnenzeskantbout M8x30	1	
10	AP8101595	Klemmetje D10,1	1	
11	AP8120557	Rubbertje tank	1	
12	AP8121673	'T'-vormige huls *	1	
13	GU00823944050	Buis 5X9	1	
14	2B000909	Pakking	1	

Groep	FRAME
Code	33.13
Beschrijving	Front body - Front mudguard
Revisie	1



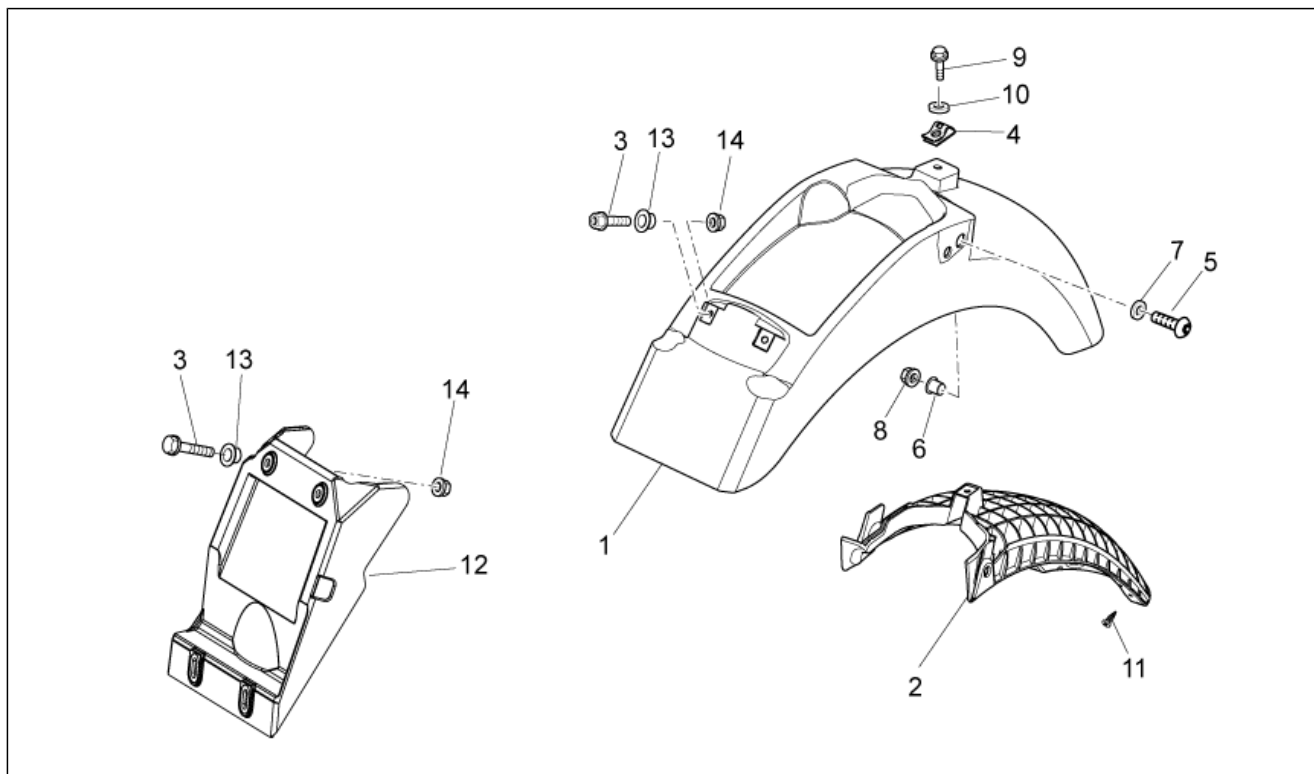
Pos.	Code	Beschrijving	Aant.	Varianten
1	88635200XN6	Spatbord voor.v.zwart	1	
1	GU32434460	Spatbord voor.ruw	1	Kleur van het voertuig:Onbewerkt[GR]
2	883266	Stabiliseerplaat	1	
3	GU98370845	Bolbout met binnenzeskant	4	
4	GU31439565	Speciale bout	4	
5	GU14615901	Sluitring 8,4X13X0,8	4	

Groep	FRAME
Code	33.14
Beschrijving	Saddle-Central bod
Revisie	1



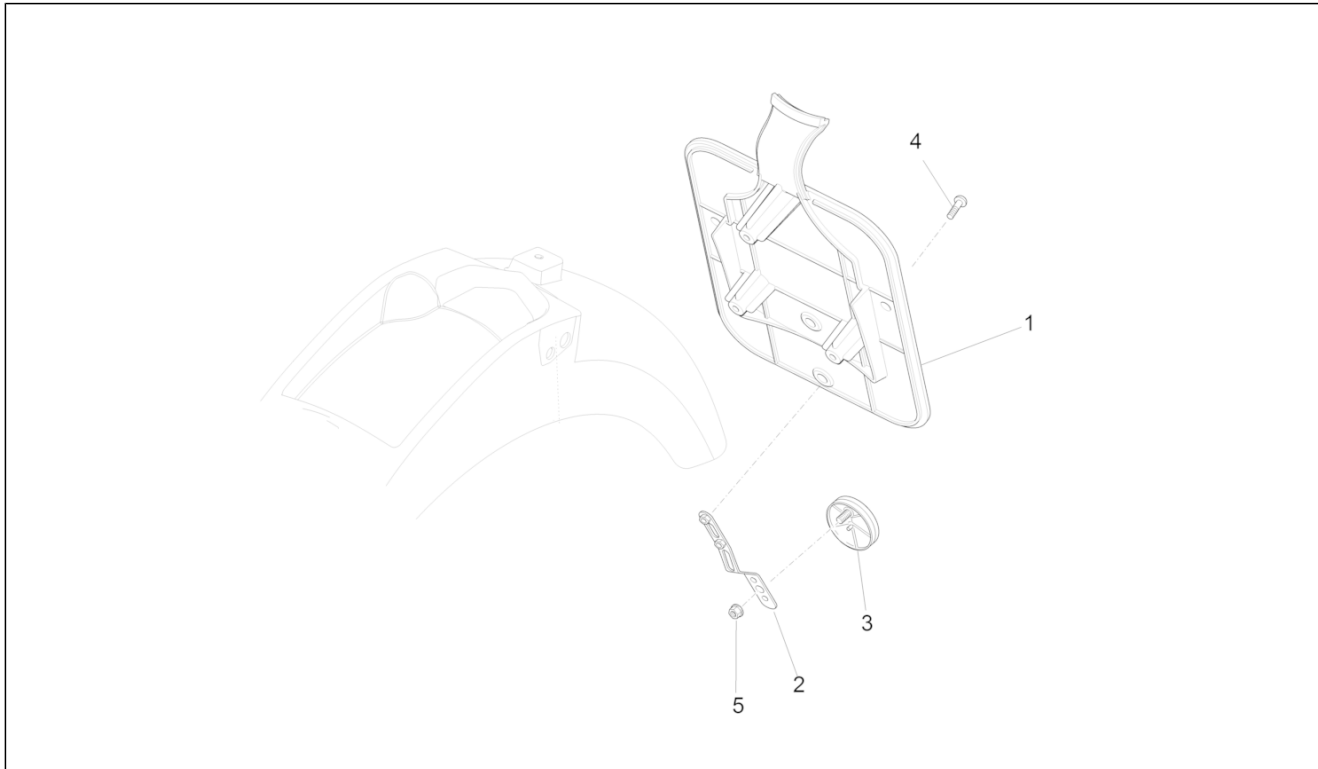
Pos.	Code	Beschrijving	Aant.	Varianten
1	2B000880	Tweepersoonszadel	1	
2	GU32461610	Rubbertje	8	
3	AP8102913	Koppelingsplaat zadel pass.	1	
4	GU98370625	Bolbout met binnenzeskant	2	
5	883295	Kabel slot zadel	1	
6	977527	Slot compleet met sleutels	1	
7	AP8121420	Vorkveer	1	
8	978415	Plaatje steun kabel	1	
9	2B000878	Zijplaatje re	1	
10	2H000722000XN6	Zijplaatje re v.zwart	1	Technische specificaties: Met decalco[D]
10	978940	Zijplaatje re ruw	1	Kleur van het voertuig: Onbewerkt[GR]
11	B063431	Wand	1	
12	AP8150450	Sluiring voor assen D5	1	
13	GU91551086	Rubbertje	4	
14	AP8152339	Bolbout met binnenzeskant, geflenst M5x9	2	
15	AP8102375	Clip m5	2	
16	2B000840	Zijplaatje li	1	
17	2H000723000XN6	Zijplaatje li v.zwart	1	Technische specificaties: Met decalco[D]
17	978943	Zijplaatje li ruw	1	Kleur van het voertuig: Onbewerkt[GR]

Groep	FRAME
Code	33.15
Beschrijving	Rear body I- Mudguard
Revisie	1



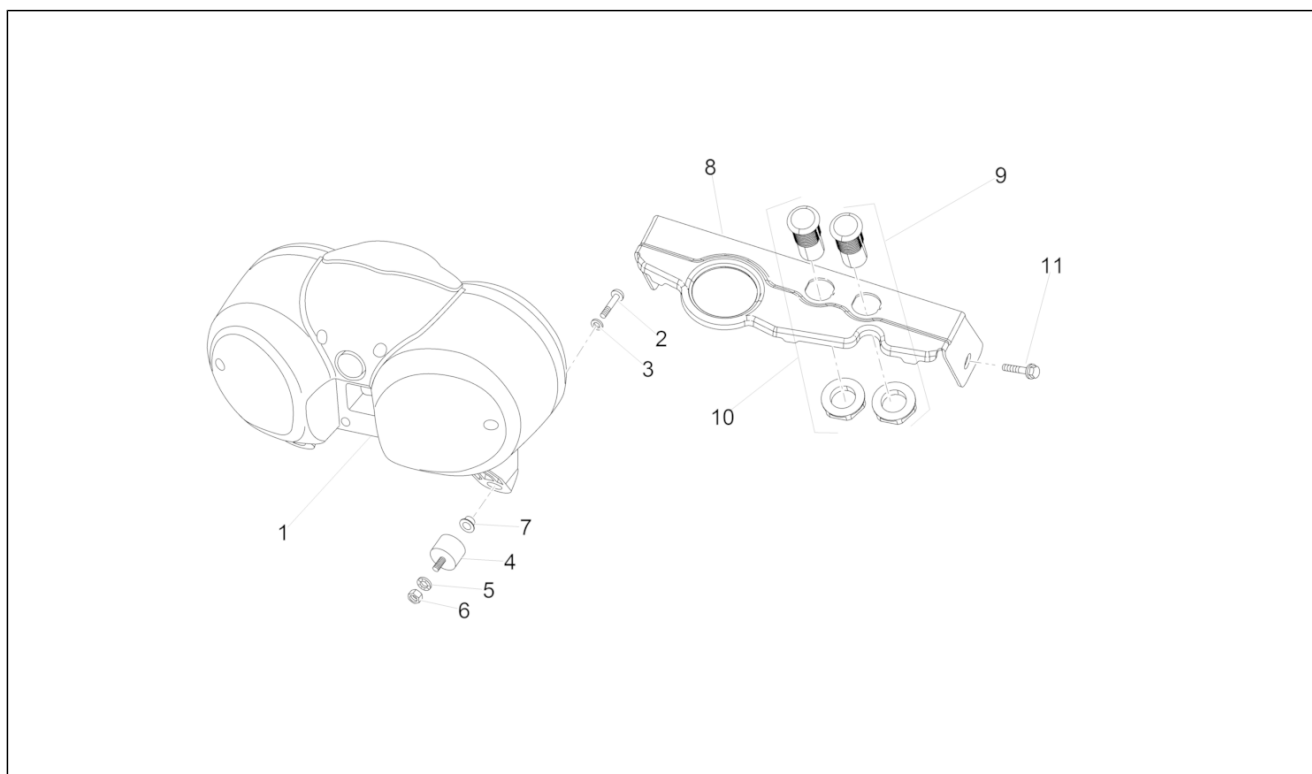
Pos.	Code	Beschrijving	Aant.	Varianten
1	978946	Spatbord acht. ruw	1	
1	97894600XN6	Spatbord acht.zwart	1	Bouwjaar: Kleur van het voertuig:Zwart Diablo[ND]
2	978947	Versterking	1	
3	AP8152278	Zeskantbout geflenst M6x16	4	
4	254485	Spring plate M6	1	
5	GU98690435	Binnenzeskantbout M8x35	2	
6	GU91120806	Afstandhouder	2	
7	GU95005310	Sluitring 8,4x18x2	2	
8	GU92630108	Moer	2	
9	AP8152279	Zeskantbout geflenst M6x20	2	
10	AP8121032	Huls	2	
11	AP8152329	Bout SWP kruiskop gefl. M5x20	3	
12	2B001783	Spatbordje acht.	1	
13	AP8121032	Huls	6	
14	AP8152299	Zelfborg.bout gefl. M6	6	

Groep	FRAME
Code	33.16
Beschrijving	Rear body II- Plate holder
Revisie	1



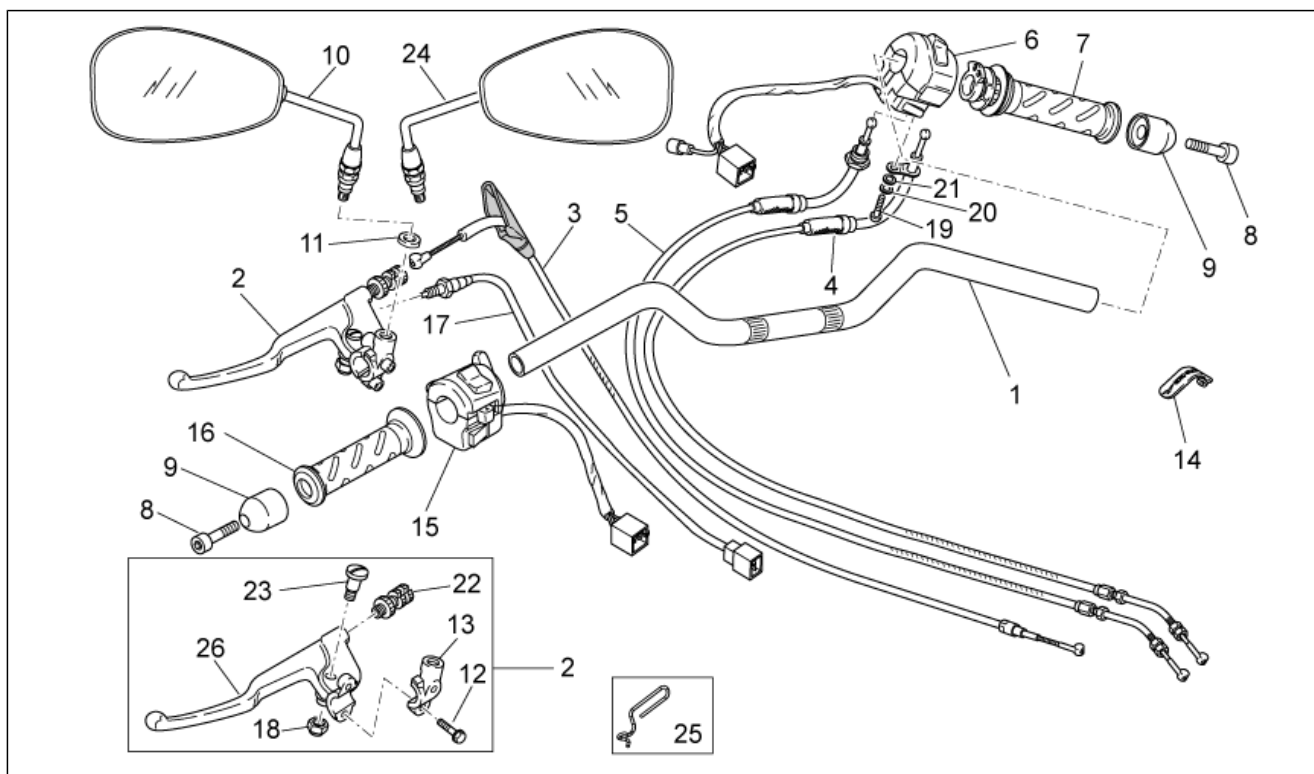
Pos.	Code	Beschrijving	Aant.	Varianten
1	978949	Nummerplaathouder	1	
2	AP8134448	Houder reflector	1	
3	AP8224164	Reflector rood	1	
4	GU98230510	Bolbout met binnenzeskant	1	
5	AP8152306	Zelfborg.bout gefl. m5	1	

Groep	FRAME
Code	33.17
Beschrijving	Dashboard
Revisie	1



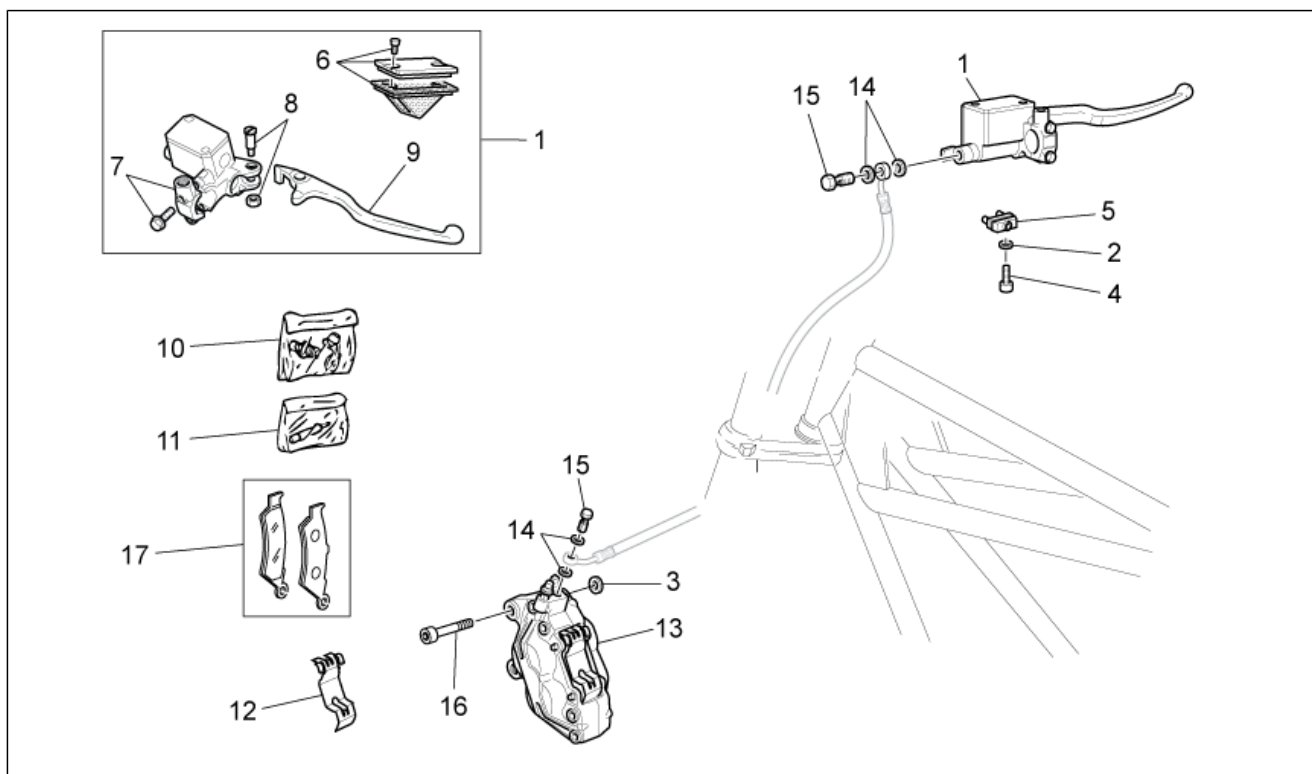
Pos.	Code	Beschrijving	Aant.	Varianten
1	887194	Dashboard cpl. km/h	1	
2	GU98370609	Bolbout met binnenzeskant M6x10	3	
3	GU95005306	Sluitring 6,4x13x1,5	3	
4	GU93222023	Silent-block	3	
5	GU95021206	Sluitring	3	
6	GU92606206	Moer	3	
7	AP8121032	Huls	3	
8	2B001101	Omlijsting instrumenten	1	
9	2D000022	Controlelamp MGCT	1	
10	2D000021	Controlelamp ABS	1	
11	GU98692414	Bout M8x14	2	

Groep	FRAME
Code	33.18
Beschrijving	Handlebar - Controls
Revisie	1



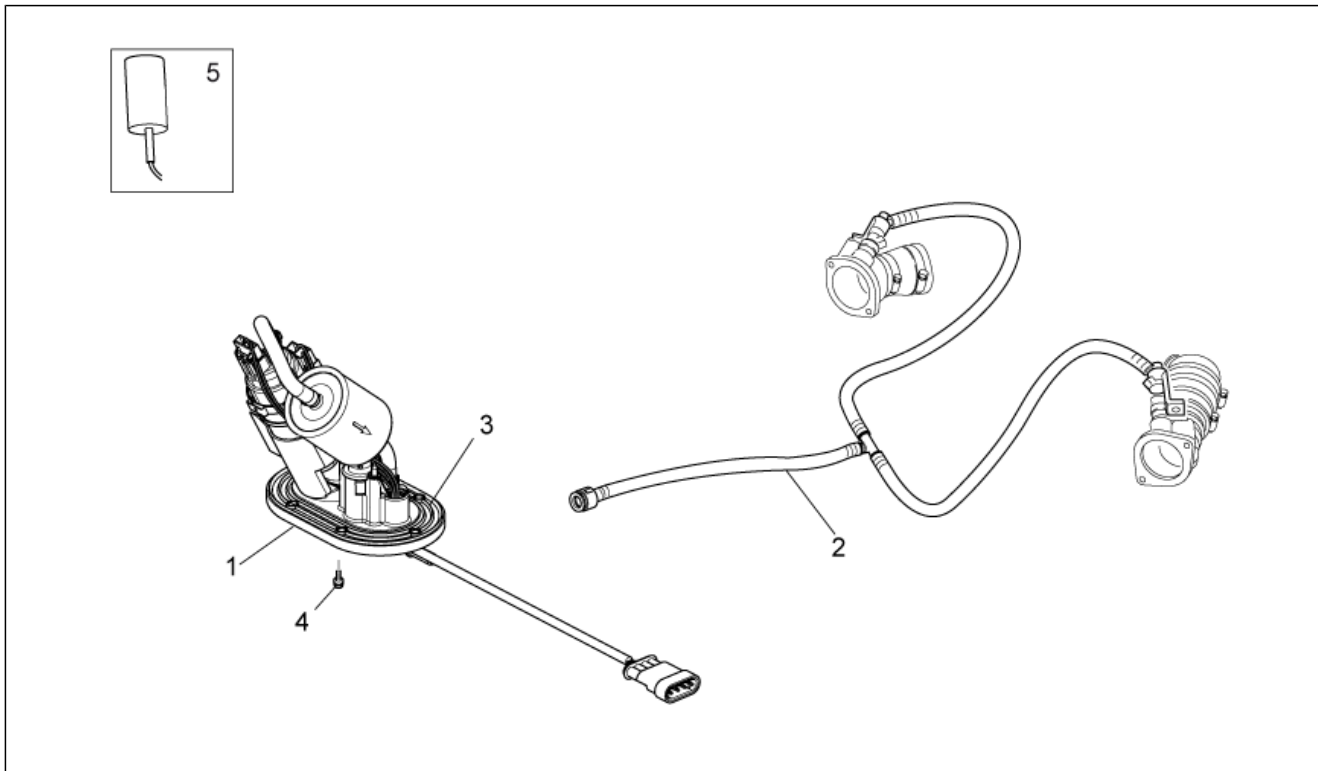
Pos.	Code	Beschrijving	Aant.	Varianten
1	978960	Stuur	1	
2	2B001300	Koppelingshendel cpl.	1	
3	2B001202	Kabel koppeling	1	
4	887852	Kabel opening gas	1	
5	887853	Kabel sluiting gas	1	
6	B063135	Schak.lichten re	1	
7	GU32603310	Handvat re	1	
8	GU98690335	Binnenzeskantbout	2	
9	AP8104509	Antitrlgewicht v.zwart	2	
10	2B001048	Achteruitkijkspiegel re	2	
11	GU91181003	Afstandhouder 10,25X20X4	2	
12	GU97202325	Zeskantbout gefl.zwart M6x25	2	
13	GU30601060	Klem	1	
14	GU01609630	Klemmetje L46 mm	2	
14	GU03609600	Klemmetje L36 mm	1	
15	B063975	Schak.lichten li	1	
16	GU32603010	Handvat li	1	
17	GU29759150	Schakelaar standaard	1	
18	AP8213388	Zelfborg.moer	1	
19	GU98230510	Bolbout met binnenzeskant	1	
20	GU95008305	Sluitring 5,3X10X1	1	
21	GU95021105	Getande sluitring	1	
22	GU30602500	Register	1	
23	AP8213028	Bout	1	
24	2B001049	Achteruitkijkspiegel li	1	
25	2B001138	Kabelwartel	1	
26	2B001998	Commandohendel van de koppeling	1	

Groep	FRAME
Code	33.19
Beschrijving	Front brake system
Revisie	1



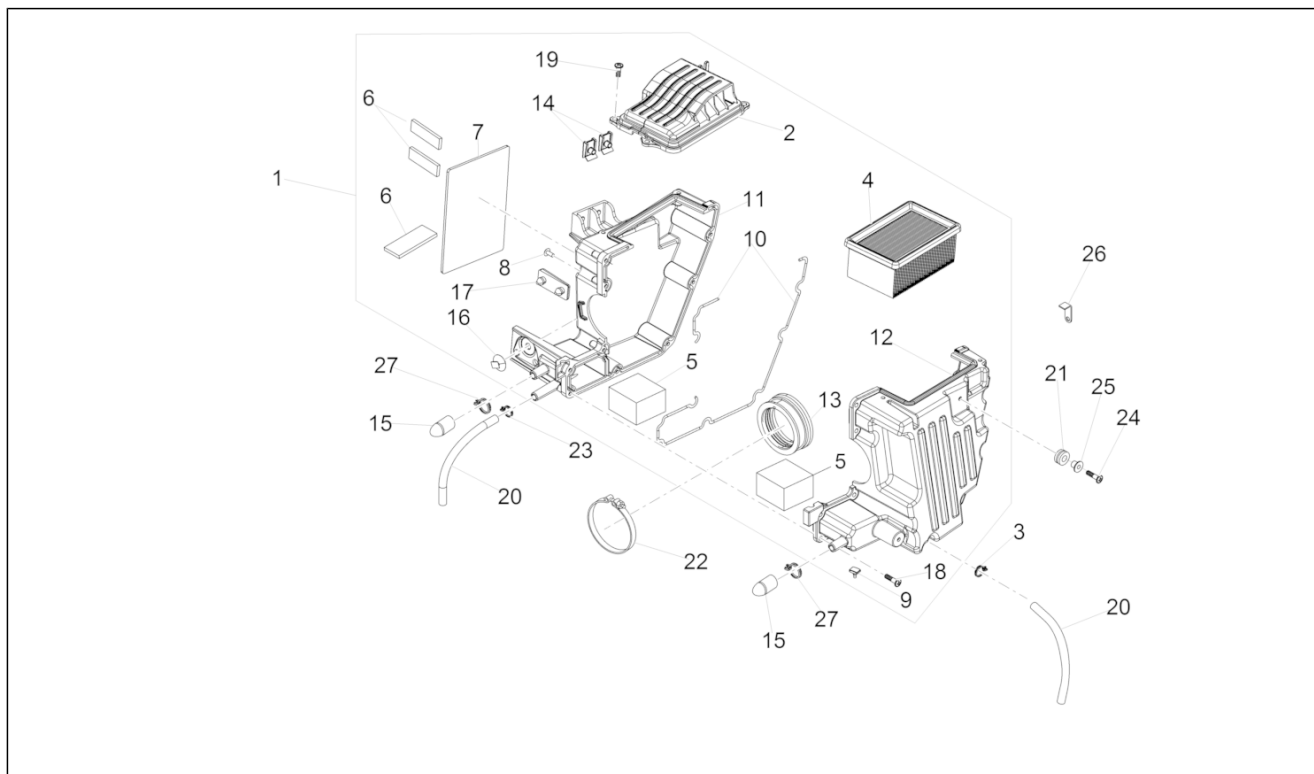
Pos.	Code	Beschrijving	Aant.	Varianten
1	2B001199	Pomp voorrem	1	
2	GU95021104	Sluitring 4,3x8x1,5	1	
3	GU91181003	Afstandhouder 10,25X20X4	2	
4	AP8152043	Binnenzeskantbout M4x10	1	
5	GU03749845	Stopschakelaar	1	
6	2B001928	Bedekking pomp	1	
7	2B001929	Beugel met bouten	1	
8	2B001927	Pin hendel cpl.	1	
9	2B001926	Remhendel	1	
10	GU05659230	Ontluchting+kapje	1	
11	GU01659130	Pinnen+Veren tang	1	
12	GU01659131	Veer	1	
13	2B001197	Front disk brake caliper l.h.	1	
14	AP8113004	Sluitring 10x14x1,6*	4	
15	AP8113003	Bout olieleiding *	2	
16	AP8152385	Binnenzeskantbout M10x1,25	2	
17	883673	Pastilles - koppel	1	

Groep	FRAME
Code	33.21
Beschrijving	Fuel pump
Revisie	1



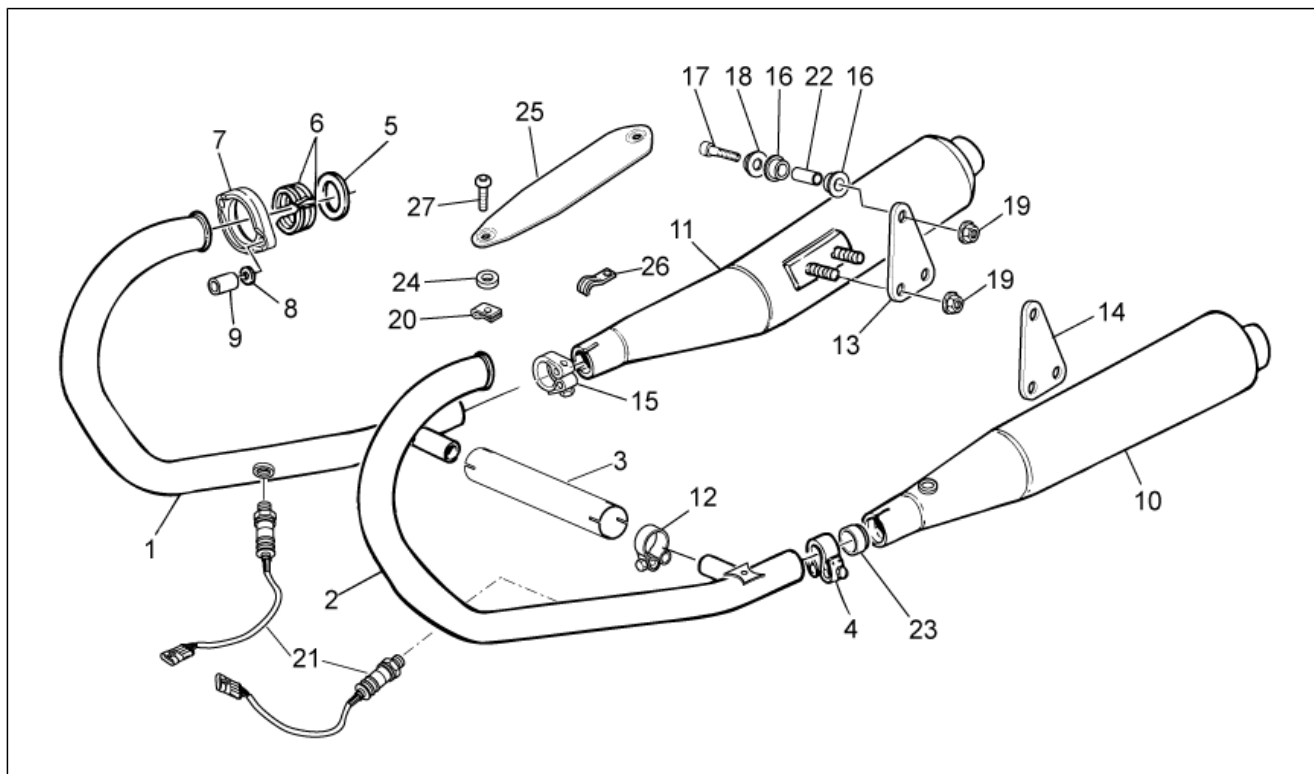
Pos.	Code	Beschrijving	Aant.	Varianten
1	B063752	Brandstofpomp	1	
2	2B001342	Benzineleiding	1	
3	GU05107430	Pakking flens	1	
4	AP8152273	Geflenste bout M5X15	6	
5	887787	Sensor benzinepeil	1	

Groep	FRAME
Code	33.22
Beschrijving	Air box
Revisie	1



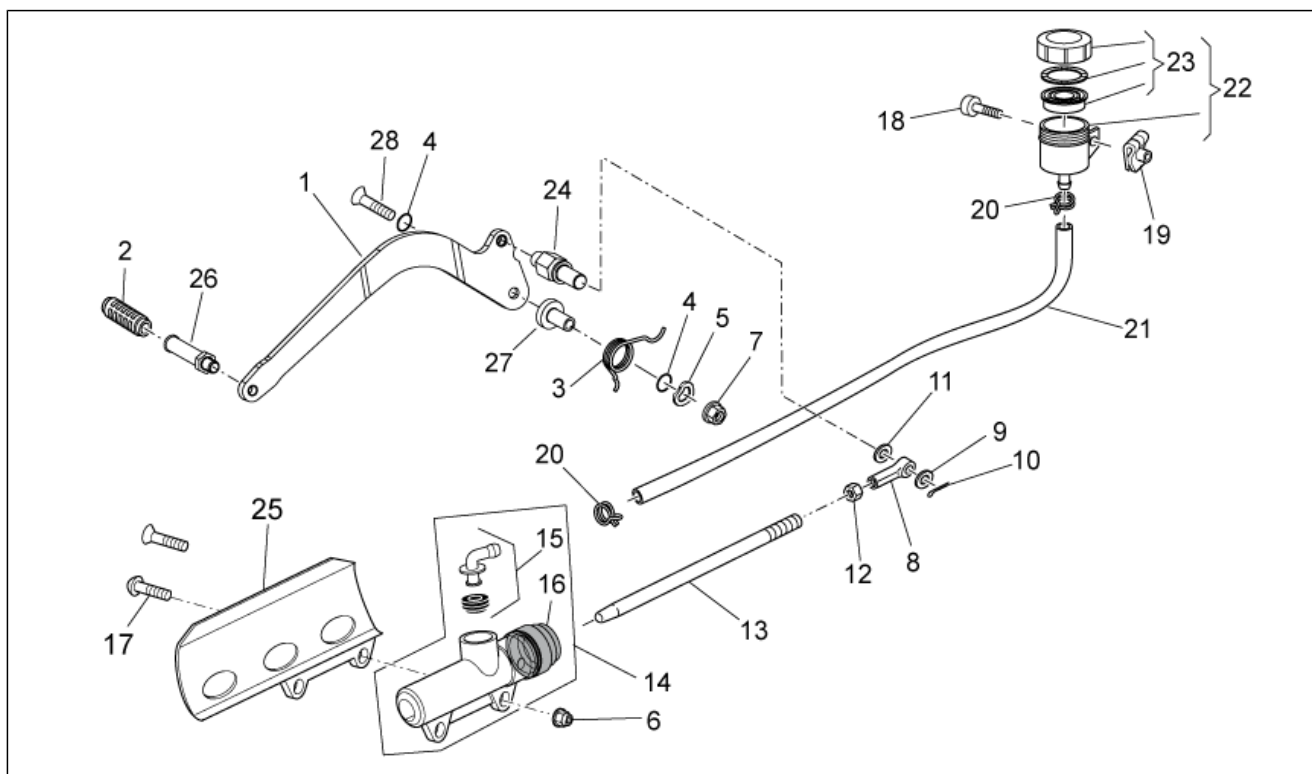
Pos.	Code	Beschrijving	Aant.	Varianten
1	8878421	Filterkist cpl.	1	
2	887843	Bedekking luchtfilter	1	
3	AP8201358	Klemmetje D 11,9	1	
4	AP8104924	Luchtfilter	1	
5	AP8104525	Filter blow-by	2	
6	883127	Rubber 5mm	1	
7	AP8144553	Rubber	1	
8	AP8120876	Sluitdop	2	
9	AP8120455	Rubbetje	1	
10	AP8120615	Pakking D3	2	
11	887844	Schaal re filterhuis	1	
12	887845	Schaal li filterhuis	1	
13	887815	Aanzuigingsmof	1	
14	254485	Spring plate M6	2	
15	AP8161054	Kapje	2	
16	890760	Steun connector	1	
17	AP8144729	Buffer eindeloop standaard	1	
18	AP8152329	Bout SWP kruiskop gefl. M5x20	9	
19	AP8150509	Zelftap. bout 5x14	4	
20	AP8120772	Ontluchtingsbuis	1	
21	GU91551010	Rubbetje	2	
22	CM258303	Klemmetje 63	1	
23	AP8102766	Klemmetje	3	
24	AP8152329	Bout SWP kruiskop gefl. M5x20	2	
25	AP8221023	'T'-vormige huls	2	
26	GU31112965	Steunbeugel filter	1	
27	AP8102520	Klembandje buis	2	

Groep	FRAME
Code	33.23
Beschrijving	Exhaust unit
Revisie	1



Pos.	Code	Beschrijving	Aant.	Varianten
1	2B000995	Collector uitlaat re	1	
2	2B000996	Collector uitlaat li	1	
3	B063022	Verbinding collectoren uitlaat	1	
4	883294	Band geluiddemper li	1	
5	GU19025280	Pakking	2	
6	GU19025460	Afstandhouder	4	
7	GU32121010	Moer	2	
8	GU03013800	Sluitring 6,4x12	4	
9	GU31121880	Moer	4	
10	2B001679	***Left silencer	1	
11	2B001678	***RH silencer	1	
12	978385	Klemmetje	2	
13	883297	Plaat re	1	
14	883298	Plaat li	1	
15	883293	Band geluiddemper re	1	
16	AP8144071	Rubbertje uitlaat	4	
17	GU98690440	Bout TCEI M8x40	2	
18	AP8134378	Huls bevestiging geluiddemper	2	
19	GU92640508	Moer M8	6	
20	254485	Spring plate M6	2	
21	896110	Lambdasonde l.660 mm	2	
22	AP8121072	Afstandhouder	2	
23	GU91113826	Beslagring	2	
24	AP8120870	Isolerende sluitring	4	
25	883704	Hittewer.bescherming uitlaat	2	
26	GU93301175	Beugel	1	
27	GU98210612	Bolbout met binnenzeskant, geflenst M6x12	4	

Groep	FRAME
Code	33.26
Beschrijving	Rear master cylinder
Revisie	1



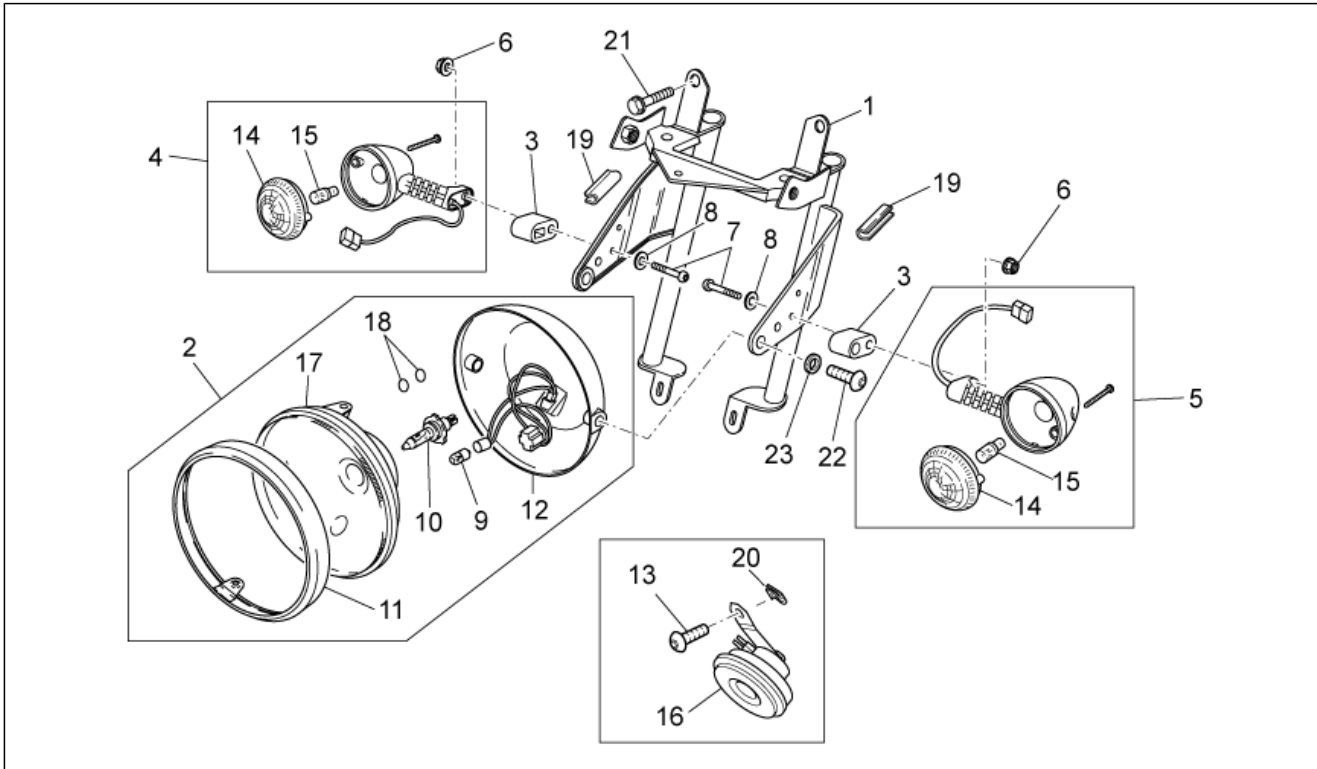
Pos.	Code	Beschrijving	Aant.	Varianten
1	887910	Remhendel	1	
2	AP8120912	Rubbertje voor hendel	1	
3	978969	Veer	1	
4	AP8144007	OR-ring 11,11x1,78	2	
5	GU95005310	Sluitring 8,4x18x2	1	
6	GU92630206	Moer M6x1	2	
7	GU92660021	Moer geflenst M8	1	
8	GU18257551	Blokje	1	
9	GU95005308	Sluitring 8,4x14,57x1,6	1	
10	GU95500221	Splitpen	1	
11	658837	Elastische gegolfde sluitring D15 F8,4 S1,5 - INOX	1	
12	GU92609007	Moer	1	
13	2B001597	Staaft pomp rem	1	
14	2B000508	Pomp achterrem	1	
15	AP8213057	Verbinding pomp acht.	1	
16	AP8113288	Blower van rubber	1	
17	GU98370625	Bolbout met binnenzeskant	2	
18	AP8152298	Bolbout met binnenzeskant, geflenst M5x16	1	
19	248419	Spring plate m5	1	
20	AP8101594	Klemmetje D10,1*	2	
21	GU00823950050	Olieleiding	1	
22	AP8113241	Oliereservoir remmen cpl.	1	
23	AP8113553	Tankdop	1	
24	887911	Pin remhendel	1	
25	GU01665410	Bescherming rem pomp zwart	1	
26	887908	Pedaaltje	1	
27	887952	Huls hendel achterrem	1	
28	B063443	Binnenzeskantbout met verzonken kop M8x50	1	

Groep	FRAME
Code	33.27
Beschrijving	Rear brake caliper
Revisie	1



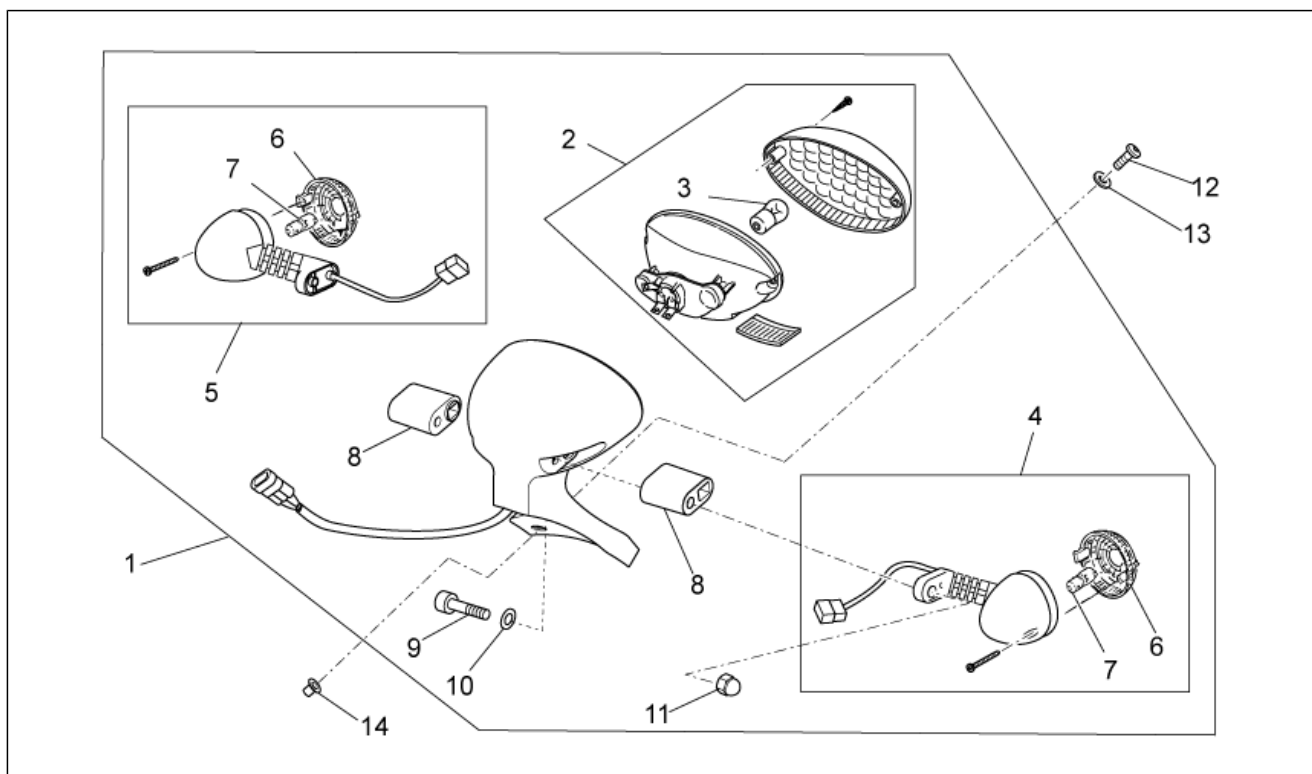
Pos.	Code	Beschrijving	Aant.	Varianten
1	2B000229	Brake caliper support plate	1	
2	GU31634281	Beslagring	1	
3	GU31544181	Pin	1	
4	AP8152288	Zeskantbout geflenst	1	
5	GU32634160	Afstandhouder	4	
6	2B000525	Tang van de achterrem	1	
7			1	
8	GU31659281	Ontluchting+kapje	1	
9	GU31659181	Kit pinnen+veer	1	

Groep	FRAME
Code	33.28
Beschrijving	Front lights
Revisie	1



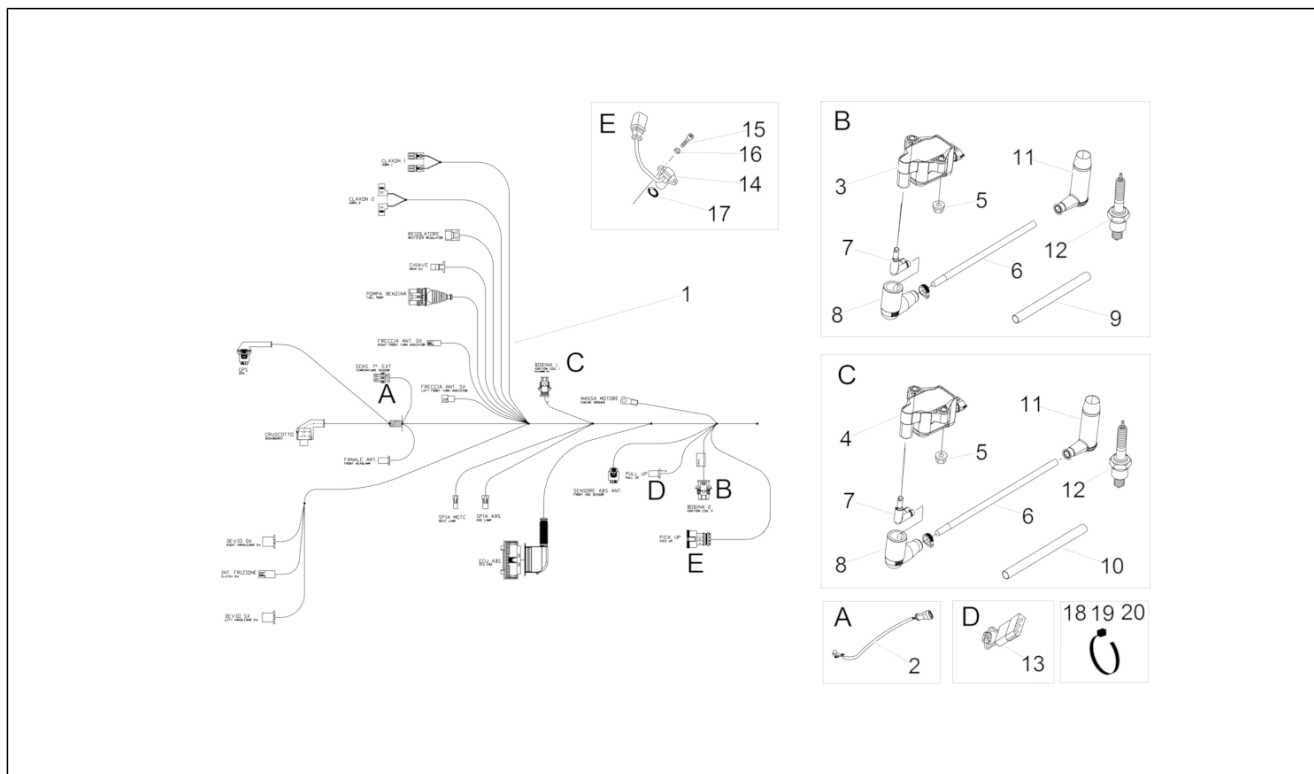
Pos.	Code	Beschrijving	Aant.	Varianten
1	GU32506360	Steunbeugel licht	1	
2	978311	Voorlicht	1	
2	978662	Voorlicht m/o geleider li	1	LAND:Australië[AUS]
3	GU32753410	Afstandhouder	2	
4	887826	Richt.aanw. voor.re/acht.li	1	
5	887827	Richt.aanw. voor.li/acht.re	1	
6	GU92787006	Moer blind M6x1	2	
7	GU98370655	Bolbout met binnenzeskant	2	
8	GU95021206	Sluitring	2	
9	GU93450105	Lamp	1	
10	GU93450232	Lamp 12V-55/60W	1	
11	GU31740383	Moer verchr.	1	
12	981149	zwarte kap	1	
13	AP8150377	Bout	2	
14	B063735	Glas richtingaanw.	2	
15	GU93450126	Lamp oranje	2	
16	890979	Claxon	1	
17	GU06740400	Optische groep	1	
18	883417	OR-ring	2	
19	GU00823931055	Pakking	1	
20	254485	Spring plate M6	2	
21	GU98880540	Bout M10x40	2	
22	GU98692420	Binnenzeskantbout M8x20	2	
23	GU95005308	Sluitring 8,4x14,57x1,6	2	

Groep	FRAME
Code	33.29
Beschrijving	Rear lights
Revisie	1



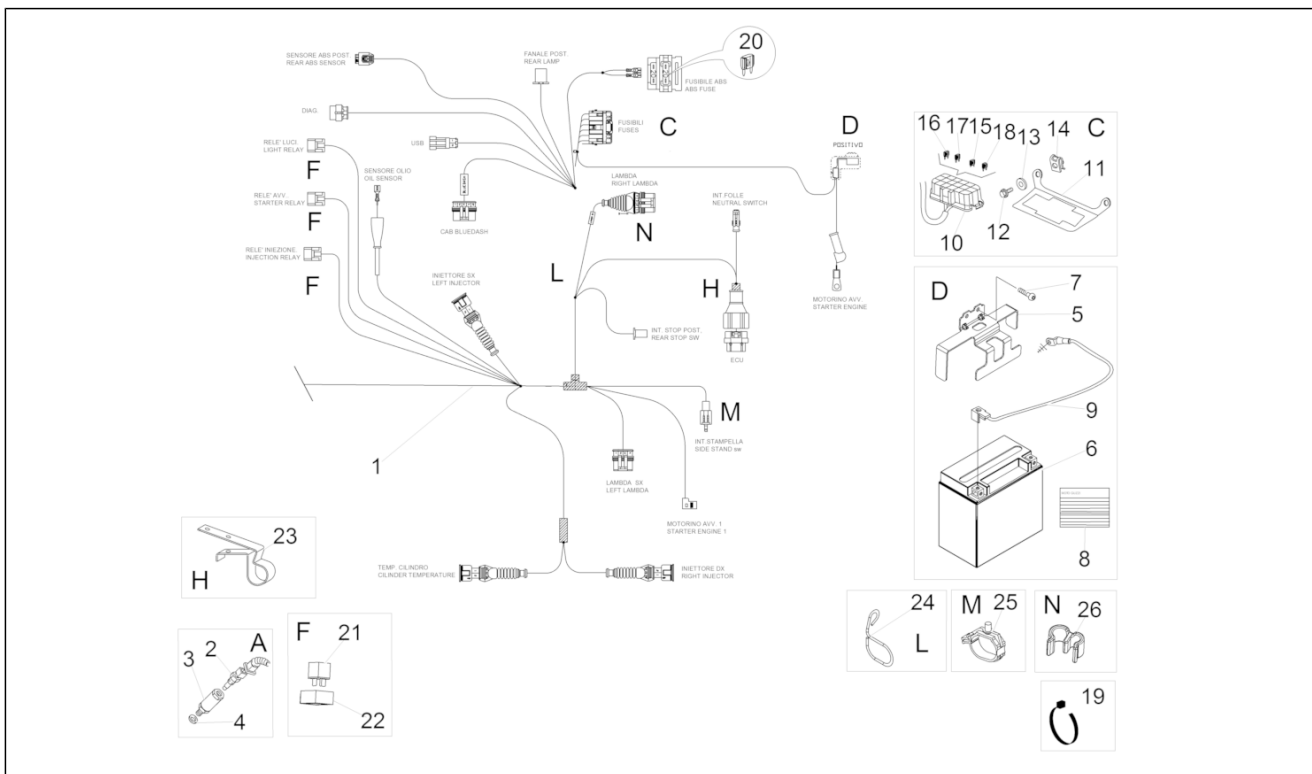
Pos.	Code	Beschrijving	Aant.	Varianten
1	2B001701	Achterlicht	1	
2	GU03740930	Achterlicht	1	
3	GU93450224	Lamp	1	
4	887826	Richt.aanw. voor.re/acht.li	1	
5	887827	Richt.aanw. voor.li/acht.re	1	
6	B063735	Glas richtingaanw.	2	
7	GU93450126	Lamp oranje	2	
8	GU32753410	Afstandhouder	2	
9	GU98370655	Bolbout met binnenzeskant	2	
10	GU95021206	Sluitring	2	
11	GU92787006	Moer blind M6x1	2	
12	GU98350215	Bolbout met binnenzeskant	3	
13	GU30577800	Sluitring in nylon 5,5X12X1	3	
14	GU93231605	Huls antitrilling	3	

Groep	FRAME
Code	33.30
Beschrijving	Electrical system I
Revisie	1



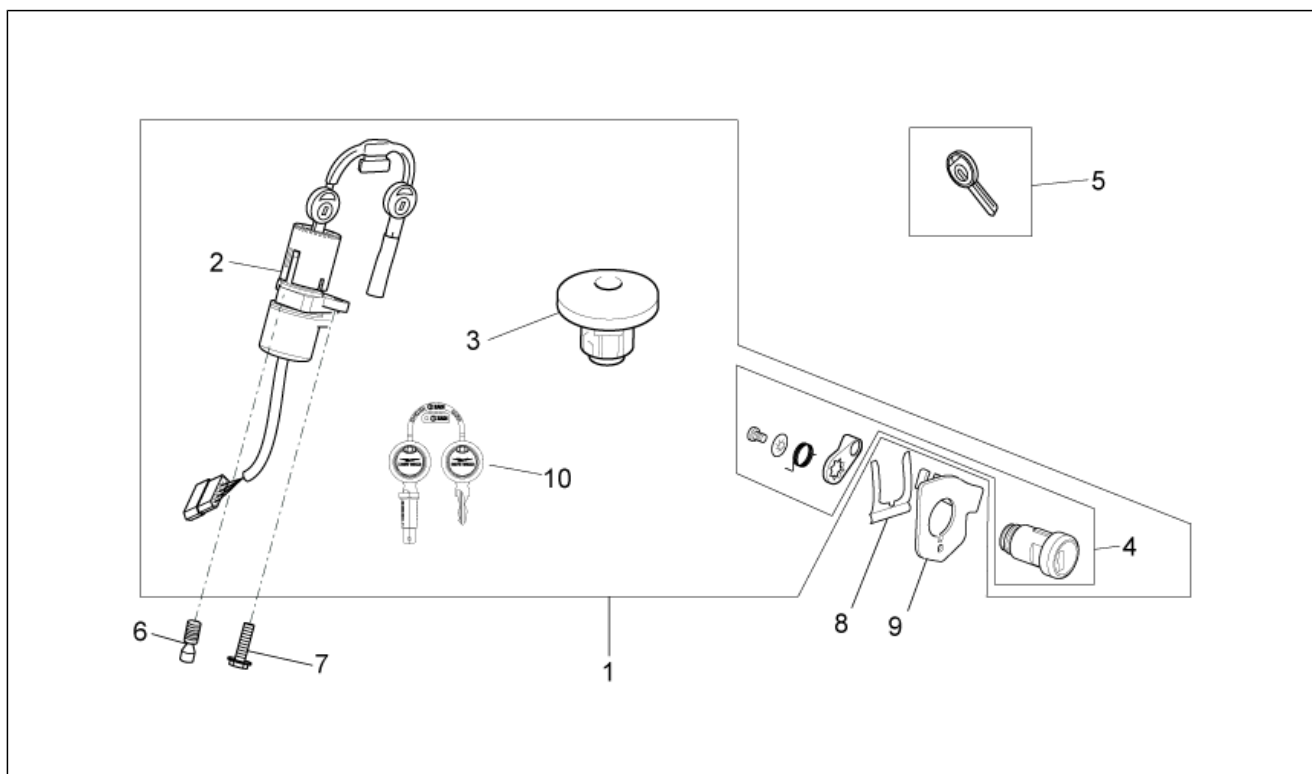
Pos.	Code	Beschrijving	Aant.	Varianten
1	2D000108	Hoofdzakelijke bekabeling	1	
2	AP8124936	Sensor luchttemperatuur	1	
3	642034	H.S. bobine DX	1	
4	641901	H.S. bobine	1	
5	AP8152299	Zelfborg.bout gefl. M6	4	
6	080341	H.S. kabel basis	2	
7	641725	HS aansluitklem	2	
8	641040	Isolerend kapje	2	
9	CM0074D0	Gaine D.8-S.0,5-L.370	1	
10	CM0074C9	Grijze huls kabel D.8-S.0,5-L.435	1	
11	2D000005	Bougiekapje	2	
12	887481	Bougie NGK CPR8EB-9	2	
13	887948	Diode	1	
14	832029	Snelheidsensor	1	
15	GU98682212	Binnenzeskantbout M5x12	2	
16	GU95008205	Sluitring 5,3x10x0,8	2	
17	GU90706141	OR-ring	1	
18	AP8120416	Band zwart 178x4	1	
19	GU49609601	Klemmetje 2,4x92	1	
20	GU14609650	Klemmetje 3,6x20,6	31	

Groep	FRAME
Code	33.31
Beschrijving	Electrical system II
Revisie	1



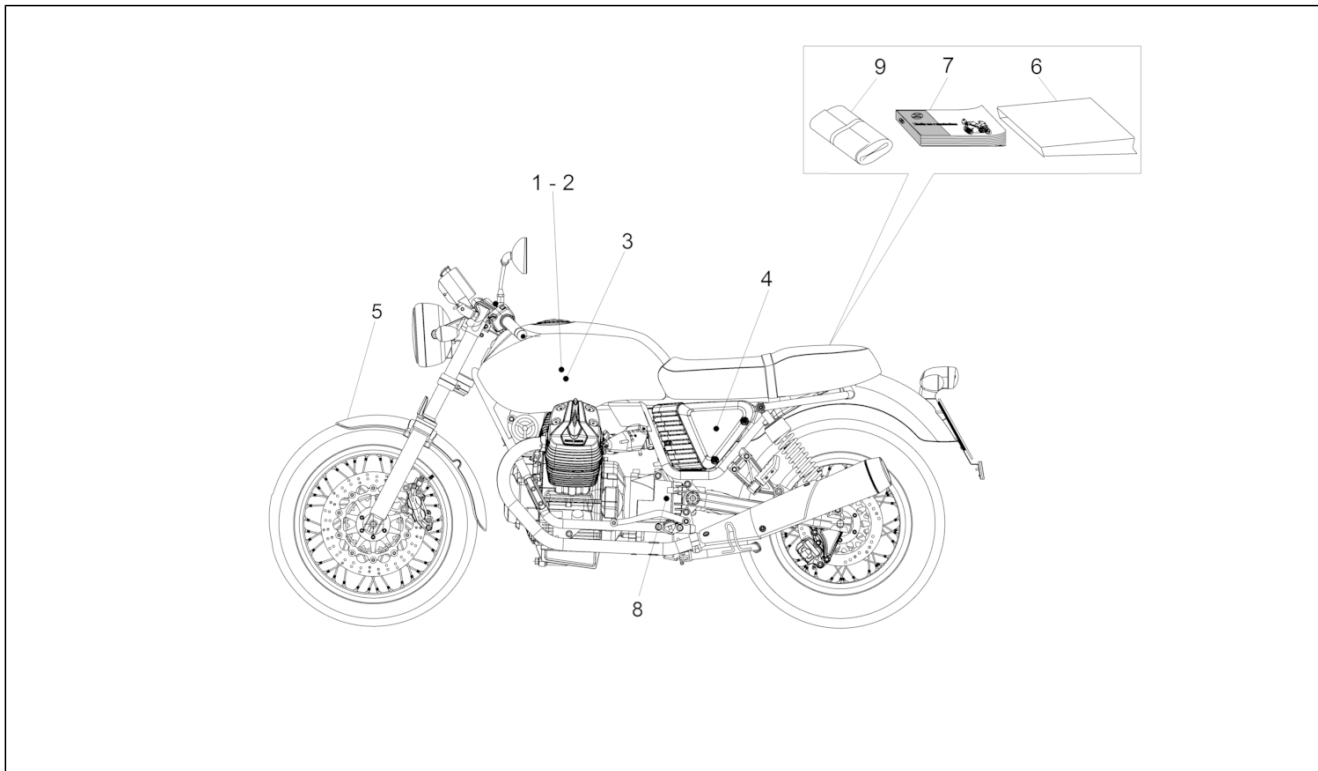
Pos.	Code	Beschrijving	Aant.	Varianten
1	2D000108	Hoofdzakelijke bekabeling	1	
2	GU29729461	Temperatuursensor olie	1	
3	GU03163330	Steun sensor	1	
4	GU95008210	Sluitring 10,2X18X2	4	
5	B063233	Beugel accu	1	
6	638733	Accu Yuasa 12V-12Ah (150x85x145)	1	
7	AP8152282	Zeskantbout geflenst M6x35	2	
8	GU32517710	Plaat "Battery service"	1	
9	GU32747910	Bekabeling massa-accu	1	
10	584211	Zekeringendoos	1	
11	883161	Steun zek.houder	1	
12	GU98682212	Binnenzeskantbout M5x12	2	
13	GU95100059	Sluitring 5,25x14x1,5	2	
14	AP8102375	Clip m5	2	
15	CM225705	Zekering 5A	2	
16	CM225710	Zekering 10A	1	
17	CM225715	Zekering 15A	2	
18	CM225730	Zekering 30A	1	
19	AP8120416	Band zwart 178x4	1	
19	GU14609650	Klemmetje 3,6x20,6	21	
19	GU49609601	Klemmetje 2,4x92	1	
20	CM225720	Zekering 20A	1	
21	AP8224462	Relais 12V/30A	3	
22	AP8220283	Rubbertje *	3	
23	B043850	Klemmetje	1	
24	AP8181140	Kabelwartel	1	
25	CM013202	Trekveertje leidingen/kabels	1	
26	894704	Kabelwartel	1	

Groep	FRAME
Code	33.32
Beschrijving	Lock hardware kit
Revisie	1



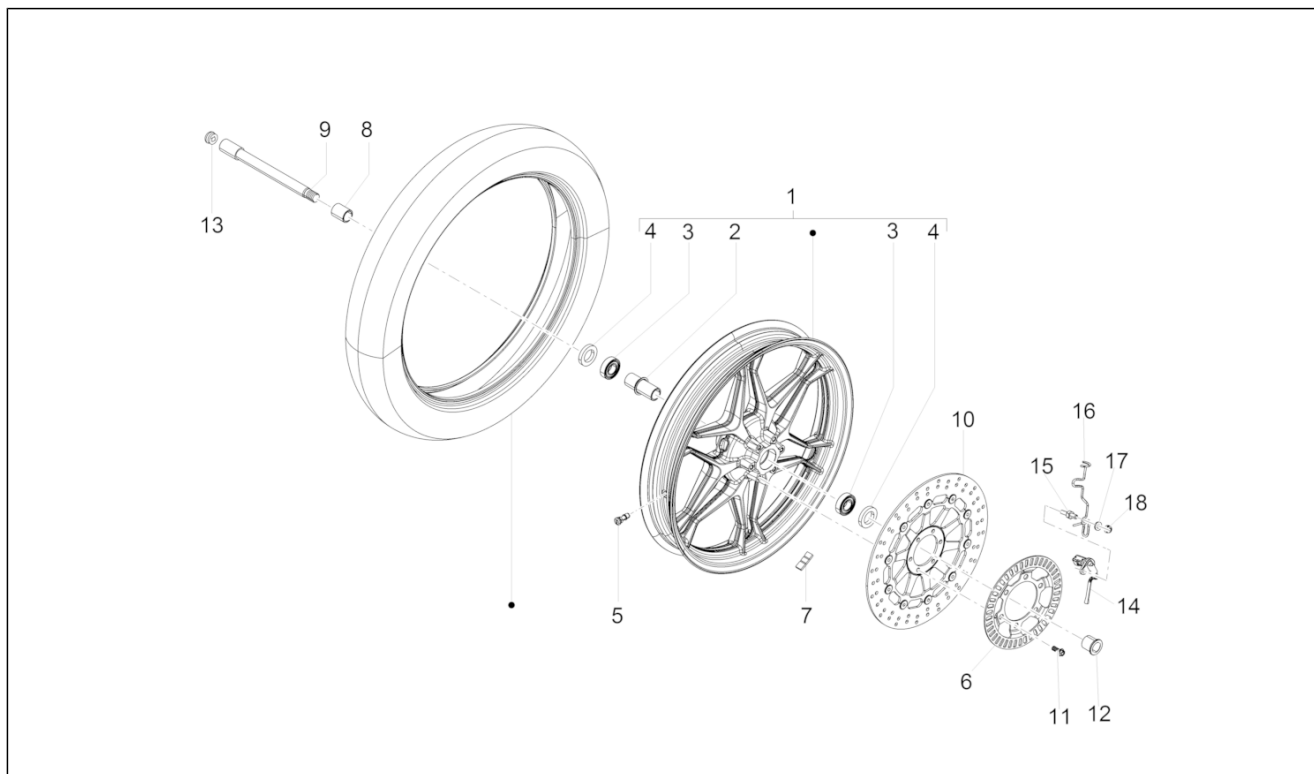
Pos.	Code	Beschrijving	Aant.	Varianten
1	887873	Kit sloten	1	
2	GU32782510	Starblokje-blokk.	1	
3	887874	Tappo serbatoio senza chiavi	1	
4	977527	Slot compleet met sleutels	1	
5	GU32735510	Sleutel glad ruw-dop go	1	
6	AP8150349	Speciale bout M8x15	1	
7	GU98682416	Binnenzeskantbout M8x16	1	
8	AP8121420	Vorkveer	1	
9	978415	Plaatje steun kabel	1	
10	2D000006	Slotcilinder met sleutel voor benzinedop	1	

Groep	FRAME
Code	33.33
Beschrijving	Decal and plate set
Revisie	1



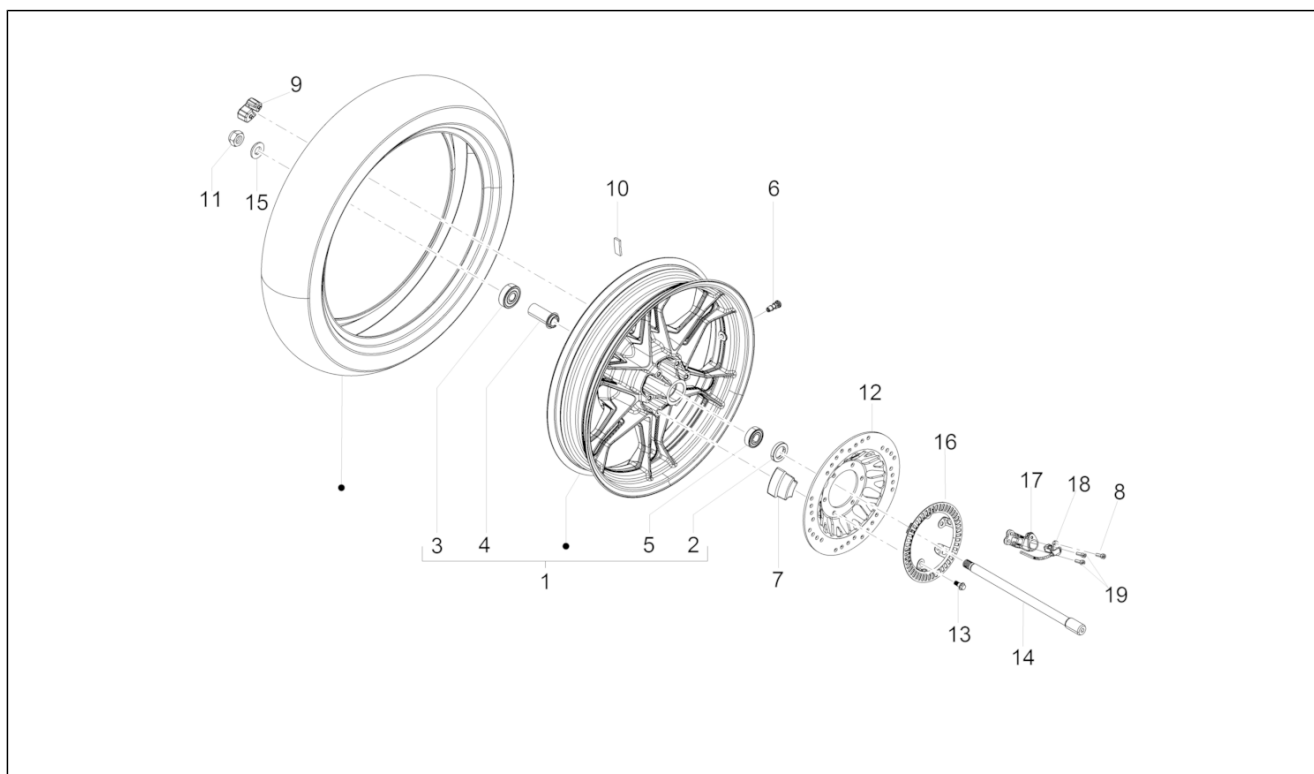
Pos.	Code	Beschrijving	Aant.	Varianten
1	886340	Plaatje Aquila	1	
2	887930	Plaatje li Aquila	1	
3	2H000413	Plaat Moto Guzzi dx-sx	2	
4	2H000724	Targhetta dx-sx "V7 II"	2	
5	886141	Plaat "Aquila"	1	
6	GU05900130	Zakje voor documenten	2	
7	2Q000056	LUM I-F-D-E-NL-ES-EN	1	
8	895839	"Plaatje ""Eni"""	2	
9	887443	Gereedschapstas	1	

Groep	FRAME
Code	33.34
Beschrijving	Front wheel II
Revisie	1



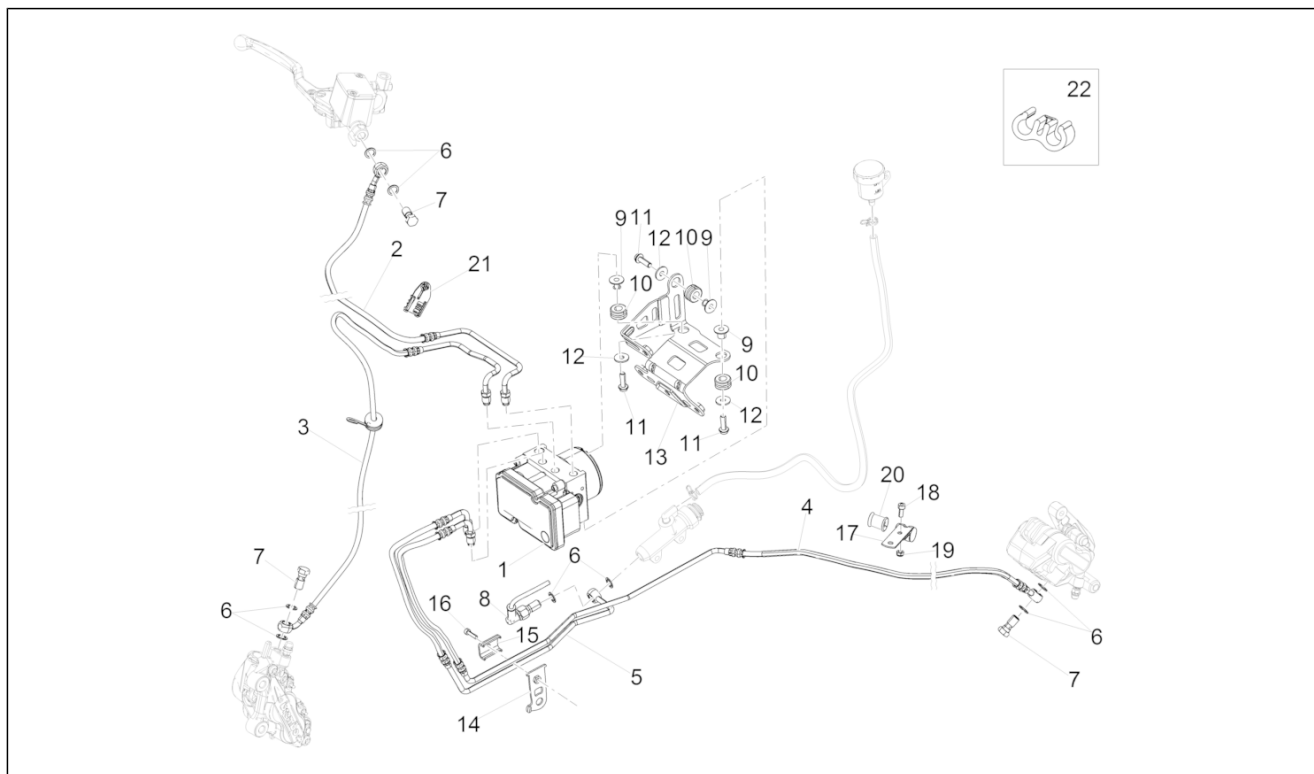
Pos.	Code	Beschrijving	Aant.	Varianten
1	887571	Voorvelg 2.5X18"	1	
2	GU31615283	Afstandhouder lagers	1	
3	GU92204221	Lager	2	
4	GU90402642	Dichtingsring	2	
5	GU03617710	Klep tubeless	1	
6	887875	Geluidswiel	1	
7	GU14616150	Tegengewicht	1	
8	GU32615660	Afstandhouder re	1	
9	GU31614183	Pin voorwiel	1	
10	883688	Remschijf voor 320	1	
11	AP8152286	Zeskantbout geflenst M8x20	6	
12	GU31616384	Afstandhouder li	1	
13	GU93180111	Dop 15 mm	1	
14	859792	Sensor ABS	1	
15	2B001708	Afstandhouder	1	
16	2B001561	Kabelwartel	1	
17	AP8150178	Sluitring 6,4x12,5*	1	
18	GU92630207	Moer	1	

Groep	FRAME
Code	33.35
Beschrijving	Rear wheel II
Revisie	1



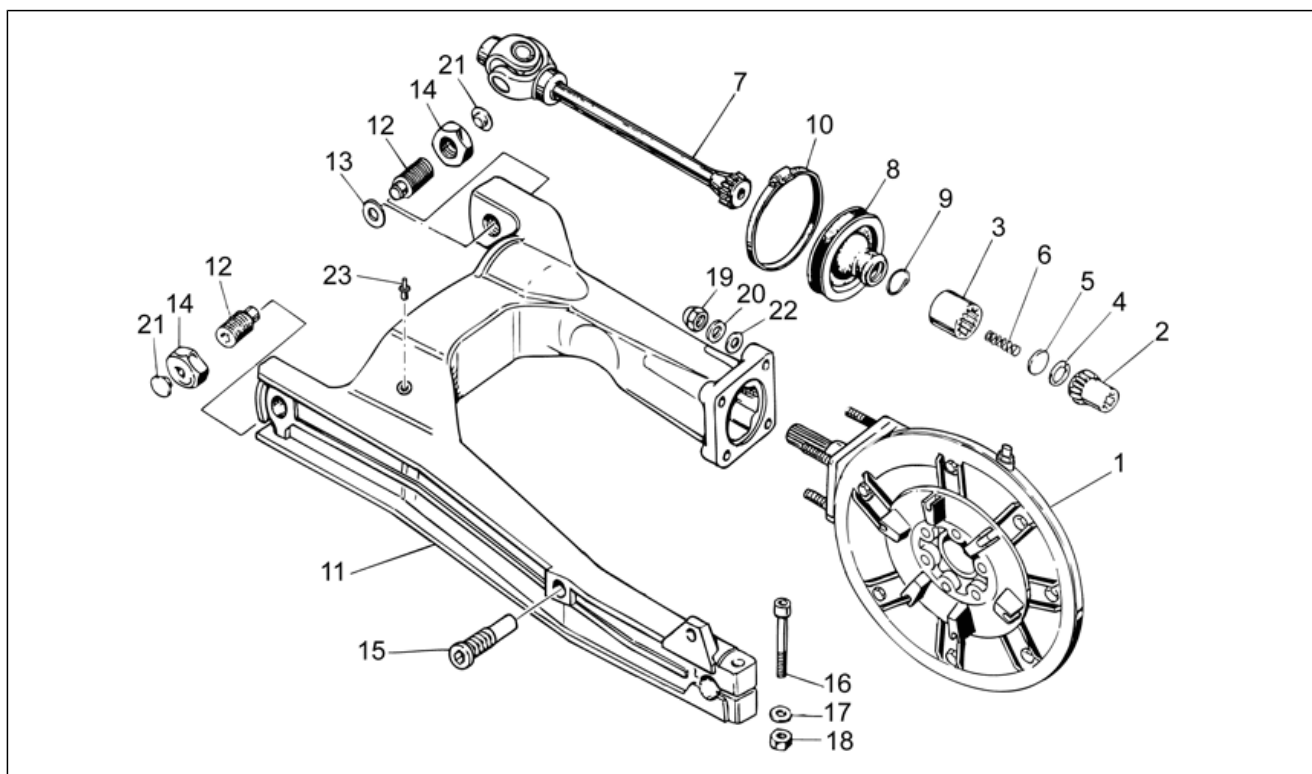
Pos.	Code	Beschrijving	Aant.	Varianten
1	887573	Achtervelg 3.5x17"	1	
2	GU90402538	Dichtingsring 25x40x7	1	
3	GU92204218	Lager	1	
4	GU27633910	Afstandhouder	1	
5	GU92204217	Lager	1	
6	GU03617710	Klep tubeless	1	
7	GU32636160	Rubber	1	
8	GU98612216	Binnenzeskantbout	1	
9	GU32632510	Element schokbesch.	6	
10	GU14616150	Tegengewicht	1	
11	GU92606316	Moer M16x1,5	1	
12	887448	Remschijf	1	
13	894505	Zeskantbout geflenst M8x18	6	
14	GU32633360	Pin achterwiel	1	
15	GU31634481	Sluitring	1	
16	2B000225	Geluidswiel	1	
17	2B000377	Steun sensor ABS	1	
18	859792	Sensor ABS	1	
19	GU98682312	Binnenzeskantbout M6x12	2	

Groep	FRAME
Code	33.36
Beschrijving	Reminstallatie ABS
Revisie	1



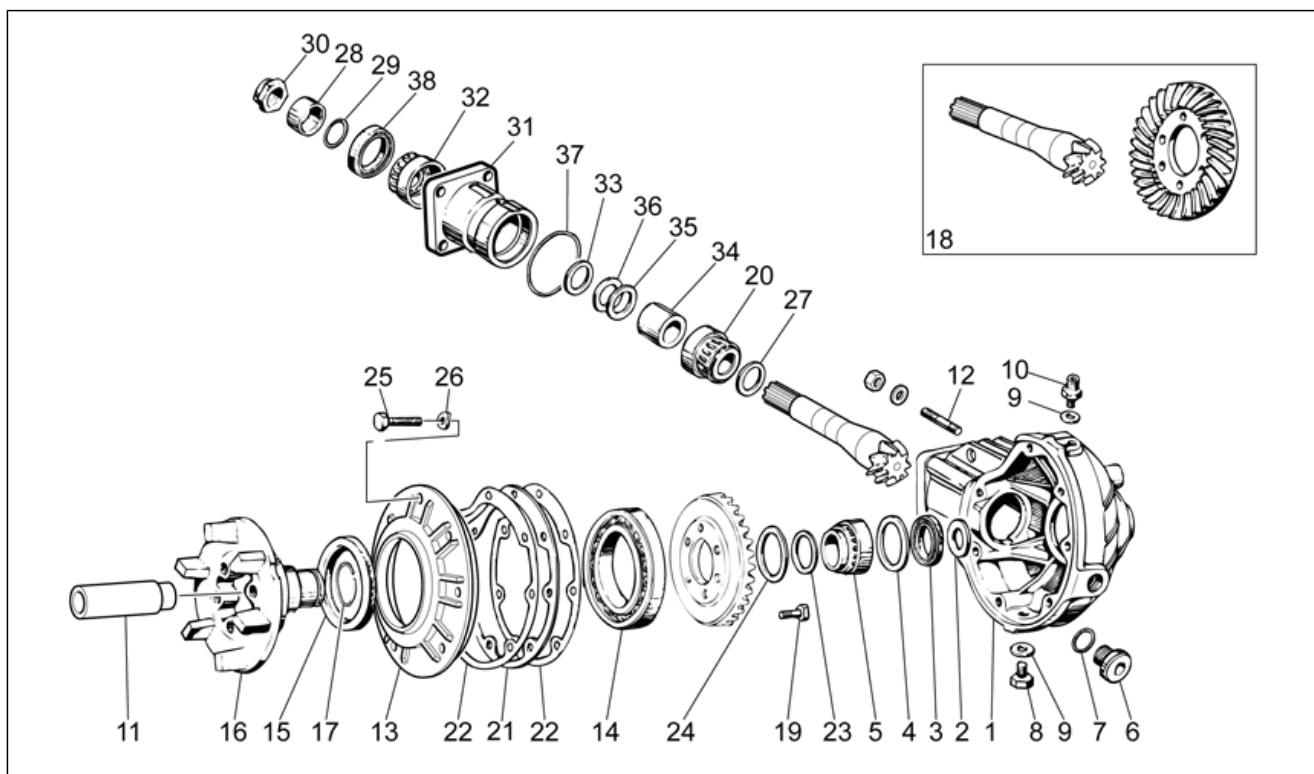
Pos.	Code	Beschrijving	Aant.	Varianten
1	2D000102	Centrale ABS	1	
2	2B001557	Leiding pomp voor. centrale ABS	1	
3	2B001558	Leiding tangen voor. centrale ABS	1	
4	2B001556	Leiding tang achter. centrale ABS	1	
5	2B001555	Leiding pomp achter. centrale ABS	1	
6	AP8113004	Sluitring 10x14x1,6*	8	
7	AP8113003	Bout olieleiding *	4	
8	854973	Stopschakelaar	1	
9	AP8221023	'T'-vormige huls	3	
10	AP8120030	Rubbetje	3	
11	AP8152279	Zeskantbout geflenst M6x20	3	
12	AP8150015	Sluitring 6,6x18x1,6*	3	
13	2B001016	Houder centrale ABS	1	
14	2B001564	Steunplaat remleiding	1	
15	2B001614	Bevest.plaat buizen	1	
16	959559	Binnenzeskantbout M4x16	1	
17	GU03658330	Klemmetje	1	
18	895709	Binnenzeskantbout M5x12	1	
19	AP8150451	Zelfborg. moer laag	1	
20	GU03658201	Ring	1	
21	2B001570	Houder remleiding	1	
22	2B000276	Kram	2	

Groep	ENGINE
Code	34.09
Beschrijving	Transmission complete I
Revisie	1



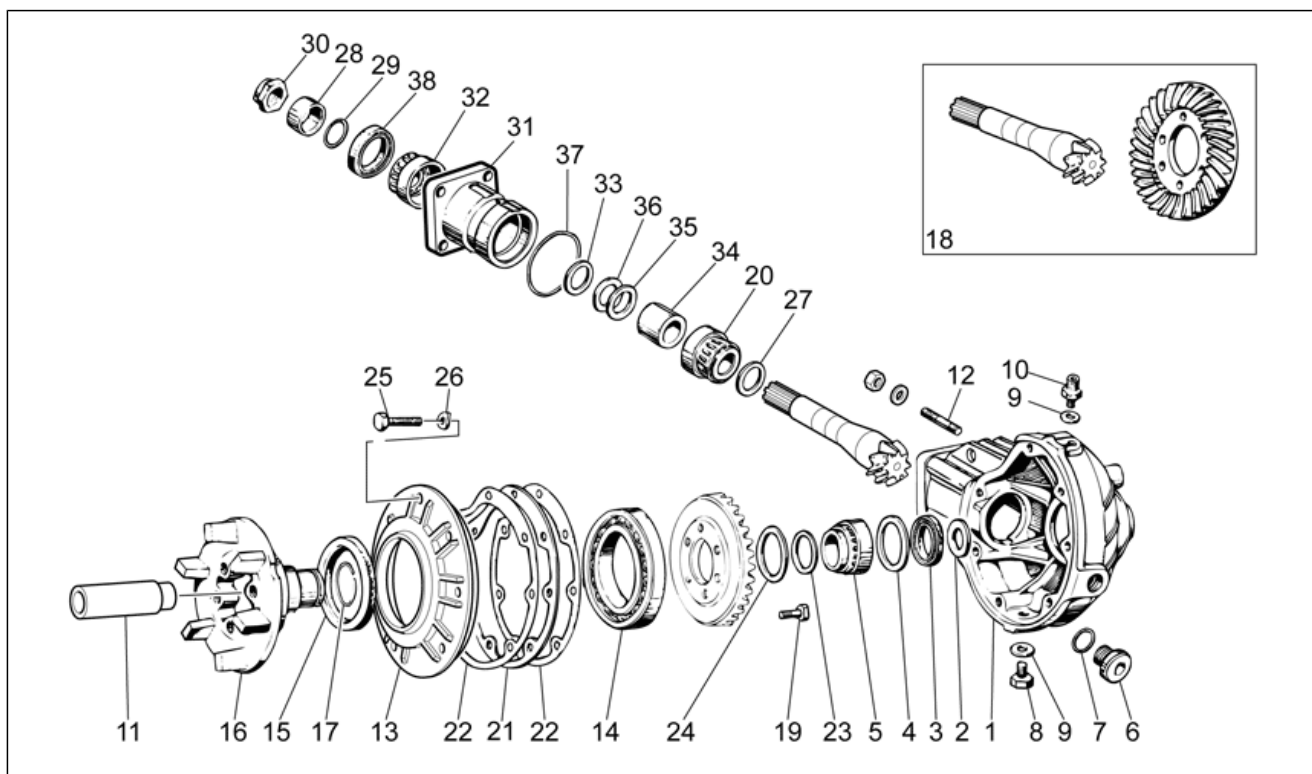
Pos.	Code	Beschrijving	Aant.	Varianten
1	976941	Transmissiedoos cpl. zwart	1	
2	GU31327783	Mof	1	
3	GU19328801	Mof	1	
4	GU90272023	Seegerring	1	
5	GU19327601	Schijf	1	
6	GU94321099	Veer	1	
7	GU23328081	Cardankoppeling	1	
8	GU23548080	Besch.band	1	
9	GU23548180	Veer	1	
10	AP8120246	Klemmetje D=60-80	1	
11	2B001959	Vork v.zwart	1	
12	GU19547000	Pin	2	
13	GU35214300	Dikte	1	
14	GU31547882	Moer	2	
15	GU31544181	Pin	1	
16	GU98680545	Bout M10x45	1	
17	GU95008210	Sluitring 10,2X18X2	1	
18	GU92606210	Moer M10x1,5	1	
19	860651	Moer blind M8x1,25	4	
20	GU14615901	Sluitring 8,4X13X0,8	4	
21	GU93180105	Dop	2	
22	GU95005308	Sluitring 8,4x14,57x1,6	4	
23	GU03922280	Dop 5x9	1	

Groep	ENGINE
Code	34.10
Beschrijving	Transmission complete II
Revisie	1



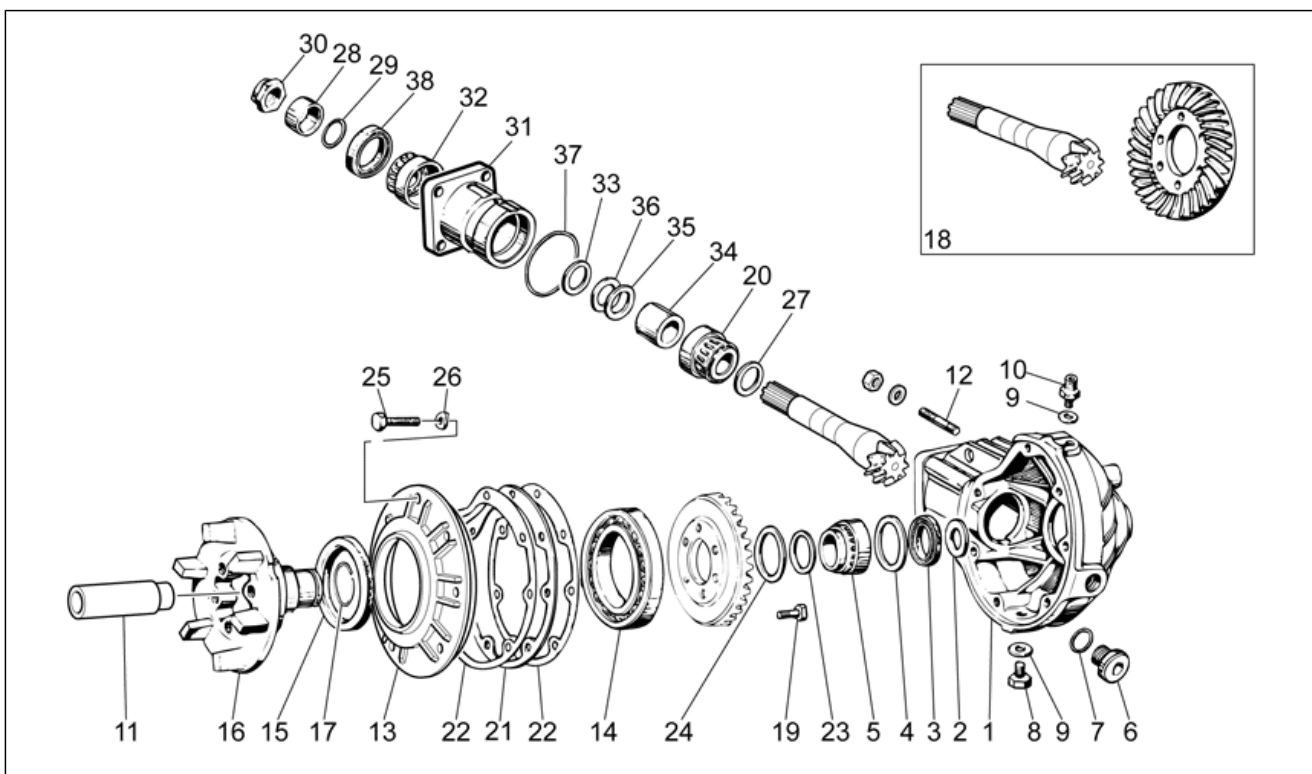
Pos.	Code	Beschrijving	Aant.	Varianten
1	976608	Doos transm. zwart	1	
2	GU19351900	Steunende sluitring	1	
3	GU90403549	Dichtingsring 35x47x7	1	
4	GU19351100	Steunende sluitring	1	
5	GU92252235	Rollager 35x50x17	1	
6	GU12022600	Oliedop	1	
7	GU90706203	OR-ring 20,24X2,62	1	
8	GU31003766	Afvoerdop olie M10x1	1	
9	GU01528930	Pakking 10x18x1,5	2	
10	GU19206501	Dop ontluchting	1	
11	GU32633560	Afstandhouder	1	
12	GU96508055	Stiftbout	4	
13	GU32350410	Bedekking	1	
14	GU92201070	Kogellager 70x110x13	1	
15	GU90407591	Dichtingsring 75x95x10	1	
16	GU32351410	Pin	1	
17	GU90353030	Blokkeerring	1	
18	GU32354610	Conisch koppel 8/33	1	
19	GU03067730	Bout M8x25	6	
20	GU92249227	Conische kogellager 25x5	1	
21	GU19355400	Dikte 0,8 mm	1	
21	GU19355402	Dikte 0,9 mm	1	
21	GU19355404	Dikte 1 mm	1	
21	GU19355406	Dikte 1,1 mm	1	
21	GU19355408	Dikte 1,2 mm	1	
21	GU19355410	Dikte 1,3 mm	1	
21	GU19355411	Dikte 1,4 mm	1	
21	GU19355412	Dikte 1,5 mm	1	

Groep	ENGINE
Code	34.10
Beschrijving	Transmission complete II
Revisie	1



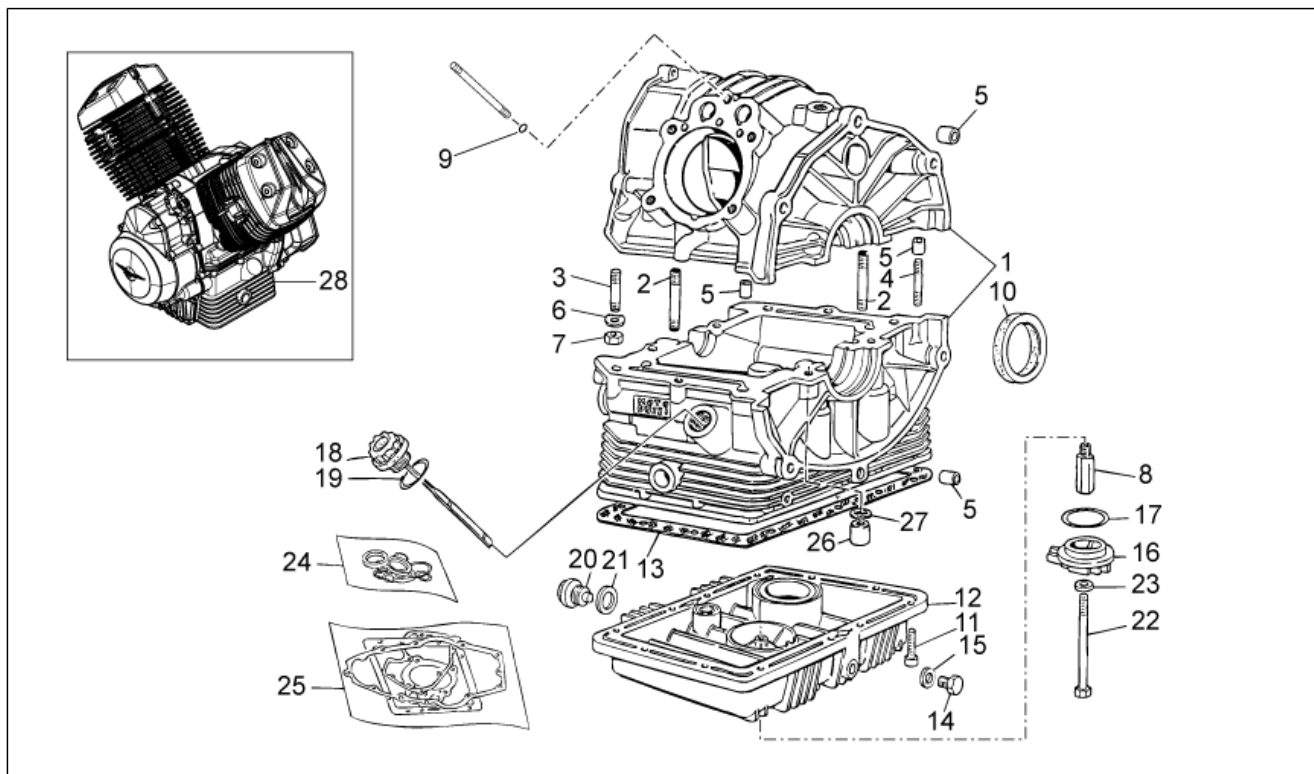
Pos.	Code	Beschrijving	Aant.	Varianten
21	GU19355413	Dikte 1,6 mm	1	
22	GU19350700	Pakking	2	
23	GU19352300	Schraapring	1	
24	GU19353500	Schraapring	1	
25	GU19357660	Bout	7	
26	GU61270300	Elastische sluitring 8x15x0,3	7	
27	GU19355320	Dikte 1 mm	1	
27	GU19355321	Dikte 1,1 mm	1	
27	GU19355322	Dikte 1,2 mm	1	
27	GU19355323	Dikte 1,3 mm	1	
27	GU19355324	Dikte 1,4 mm	1	
27	GU19355325	Dikte 1,5 mm	1	
27	GU19355326	Dikte 1,6 mm	1	
27	GU19355327	Dikte 1,7 mm	1	
27	GU19355328	Dikte 1,8 mm	1	
27	GU19355329	Dikte 1,9 mm	1	
28	GU19356801	Afstandhouder	1	
29	GU90706188	Dichtingsring 18,77X1,78	1	
30	GU19356700	Moer	1	
31	GU20352421	Cover	1	
32	GU92249220	Rollager 20x47x14	1	
33	GU19355300	Dikte 1 mm	1	
33	GU19355301	Dikte 1,1 mm	1	
33	GU19355302	Dikte 1,2 mm	1	
33	GU19355303	Dikte 1,3 mm	1	
33	GU19355304	Dikte 1,4 mm	1	
33	GU19355305	Dikte 1,5 mm	1	
33	GU19355306	Dikte 1,6 mm	1	

Groep	ENGINE
Code	34.10
Beschrijving	Transmission complete II
Revisie	1



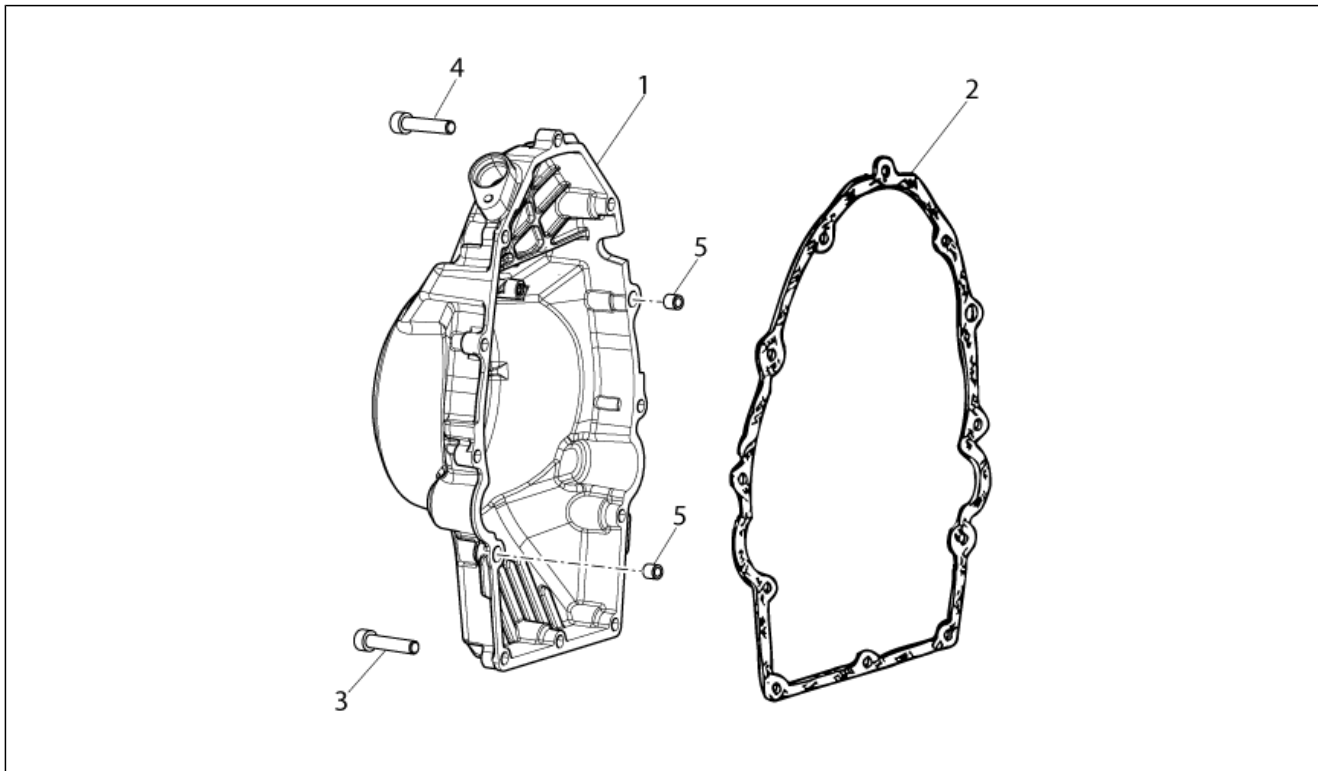
Pos.	Code	Beschrijving	Aant.	Varianten
33	GU19355307	Dikte 1,7 mm	1	
33	GU19355308	Dikte 1,8 mm	1	
33	GU19355309	Dikte 1,9 mm	1	
34	GU20355121	Afstandhouder	1	
35	GU19355200	Sluitring regel. 0,1 mm	1	
36	GU19355202	Sluitring regel. 0,15 mm	1	
37	GU90706584	Pakking 58,42x2,62	1	
38	GU90403251	Dichtingsring 32x47x10	1	

Groep	ENGINE
Code	34.34
Beschrijving	Crank-case
Revisie	1



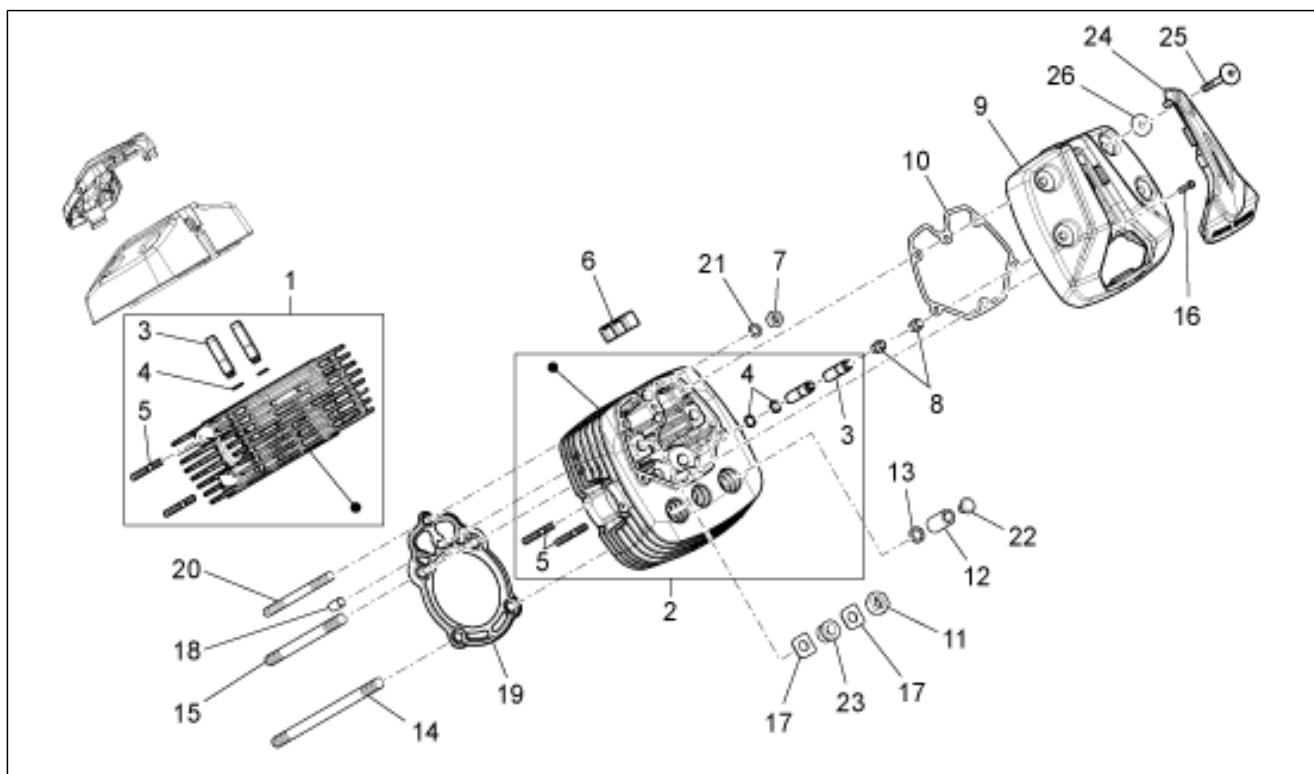
Pos.	Code	Beschrijving	Aant.	Varianten
1	2A0002355	Onderstel motor cpl.	1	
2	GU96451560	Stiftbout	4	
3	GU96451430	Stiftbout	4	
4	GU96508055	Stiftbout	2	
5	GU19015020	Beslagring	4	
6	GU61270300	Elastische sluitring 8x15x0,3	6	
7	GU92606208	Moer M8x1,25	6	
8	GU19003800	Verbinding	1	
9	GU90706076	OR-ring	2	
10	886365	Dichtingsring	1	
11	GU98682325	Binnenzeskantbout M6x25	12	
12	976604	Oliecarter motor grijs	1	
13	887004	Pakking oliecarter	1	
14	GU31003766	Afvoerdop olie M10x1	1	
15	GU10528900	Pakking in aluminium	1	
16	976685	Bedekking	1	
17	GU90706444	OR-ring	1	
18	883826	Invoerdop olie	1	
19	GU90706281	OR-ring 28,24x2,62	1	
20	GU12003702	Afvoerdop olie	1	
21	GU95100709	Pakking 20,1x28x2	1	
22	GU27152885	Schroefbout	1	
23	GU12154200	Pakking 8,25x15x1	1	
24	GU32999510	Oliekeerringen-serie	1	
25	GU32999010	Pakkingen-serie	1	
26	GU13021900	Kolomv. moer	4	
27	GU95129180	Sluitring 10,5X18X0,8	4	
28	2L0002405	Motor cpl. zonder versn.bak	1	

Groep	ENGINE
Code	34.35
Beschrijving	Timing system cover
Revisie	1



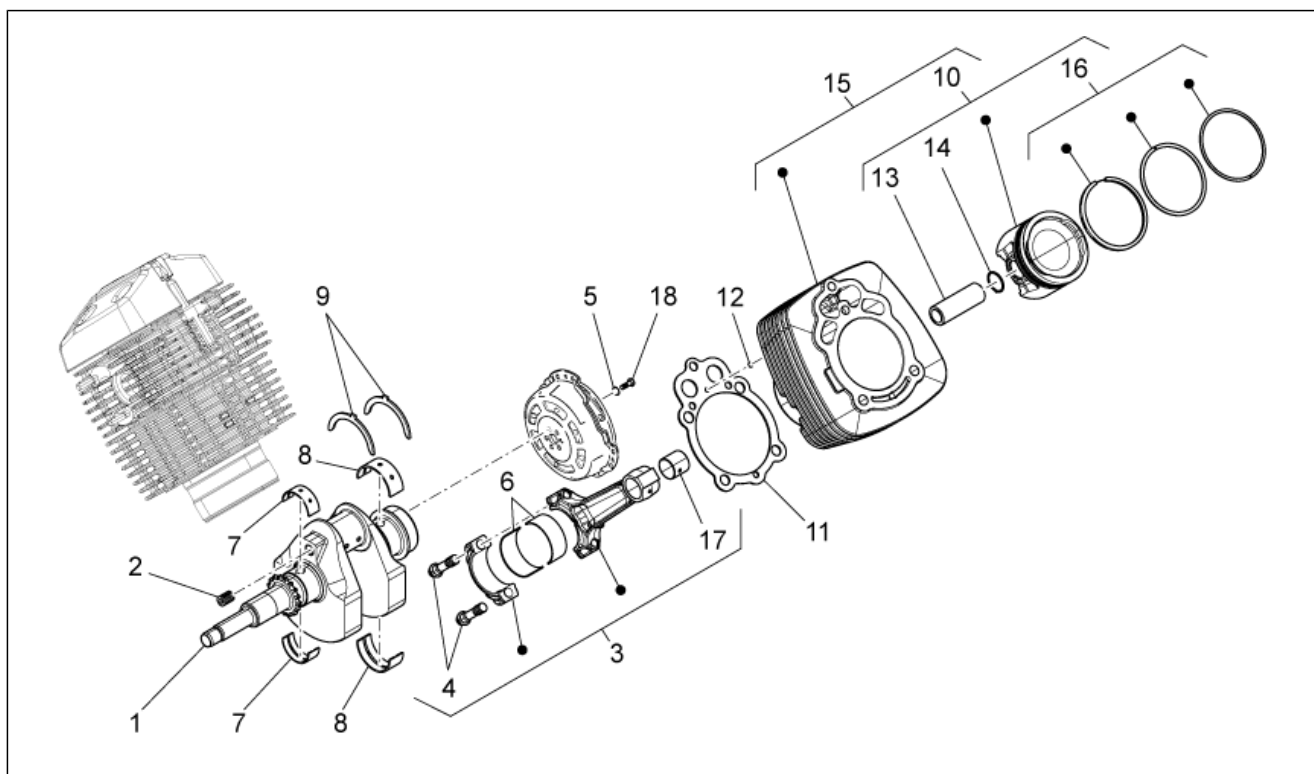
Pos.	Code	Beschrijving	Aant.	Varianten
1	2A000085	Bedekking generator	1	
2	887003	Pakking bedekking	1	
3	GU98682325	Binnenzeskantbout M6x25	10	
4	GU98682330	Binnenzeskantbout M6x20	2	
5	GU19002020	Beslagring 6,6x9x13	2	

Groep	ENGINE
Code	34.36
Beschrijving	Cylinder head
Revisie	1



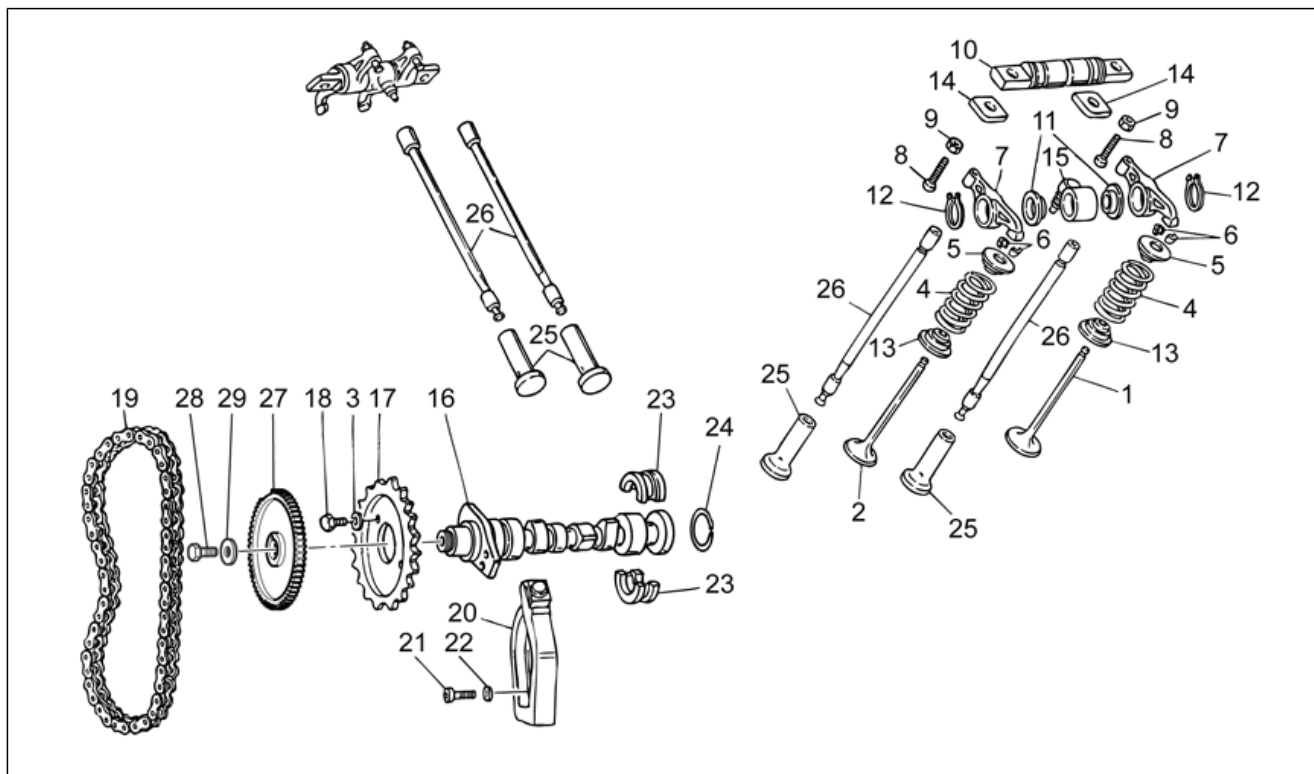
Pos.	Code	Beschrijving	Aant.	Varianten
1	8872724	Kop re	1	
2	8872754	Kop li	1	
3	GU61036801	Klepgeleider	4	
4	GU90353009	Elastische ring	4	
5	GU96506042	Stiftbout	4	
6	B063111	Trillingsdempende plug	4	
7	GU19021920	Moer	2	
8	GU19037820	Oliekeerring	4	
9	887523	Kopdeksel	2	
10	887002	Pakking bedekking kop	2	
11	GU92603010	Moer M10X1,5	4	
12	GU13021900	Kolomv. moer	4	
13	GU95129180	Sluitring 10,5X18X0,8	4	
14	GU96510214	Stiftbout M10x214	4	
15	GU96510181	Stiftbout M10x182	4	
16	GU98692325	Binnenzeskantbout M6x25	4	
17	GU19032980	Dikte	8	
18	GU19021360	Beslagring	2	
19	B063099	Pakking kop-cilinder	2	
20	976898	Stiftbout M8x140	2	
21	GU61270300	Elastische sluitring 8x15x0,3	2	
22	GU93180245	Dop	4	
23	AP8144071	Rubbertje uitlaat	1	
24	887279	Bedekking bougie	2	
25	887483	Bout kopdeksel M6x52.5	8	
26	969973	Sluitring	8	

Groep	ENGINE
Code	34.37
Beschrijving	Crankshaft cpl.
Revisie	1



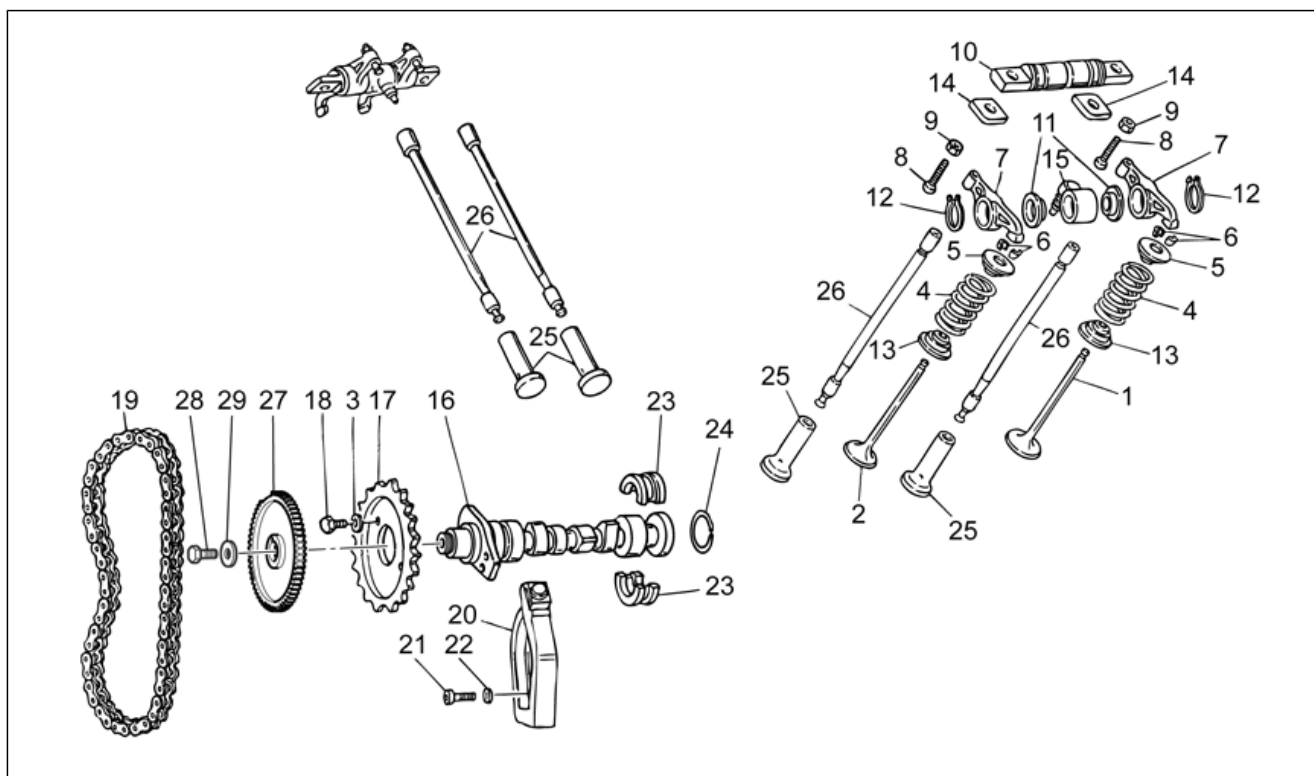
Pos.	Code	Beschrijving	Aant.	Varianten
1	2A0000995	Drijfjas	1	
2	GU19065400	Dop	1	
3	GU27061585	Drijfstang cpl.	2	
4	GU19062261	Bout	4	
5	GU14615901	Sluitring 8,4X13X0,8	6	
6	GU27062060	Halfdop kussenblok	4	
7	GU27065660	Halfdop kussenblok voor	2	
8	GU27066560	Halfdop kussenblok acht.	2	
9	GU27066460	Halfsluitring	2	
10	8872690001	Zuiger compl. d.80 Cat. D	1	
10	8872690002	Zuiger compl. d.80 Cat. E	1	
10	8872690003	Zuiger compl. d.80 Cat. F	1	
11	886670	Cylinder gasket	2	
12	GU61027200	OR-ring	2	
13	B063016	Zuigerpen	2	
14	874567	Blokkeerring	4	
15	B063465	Cilinder met zuiger cpl.	2	
16	B063466	Kit elastische banden	2	
17	GU27061885	Beslagring	2	
18	GU19067700	Bout	6	

Groep	ENGINE
Code	34.38
Beschrijving	Timing system
Revisie	1



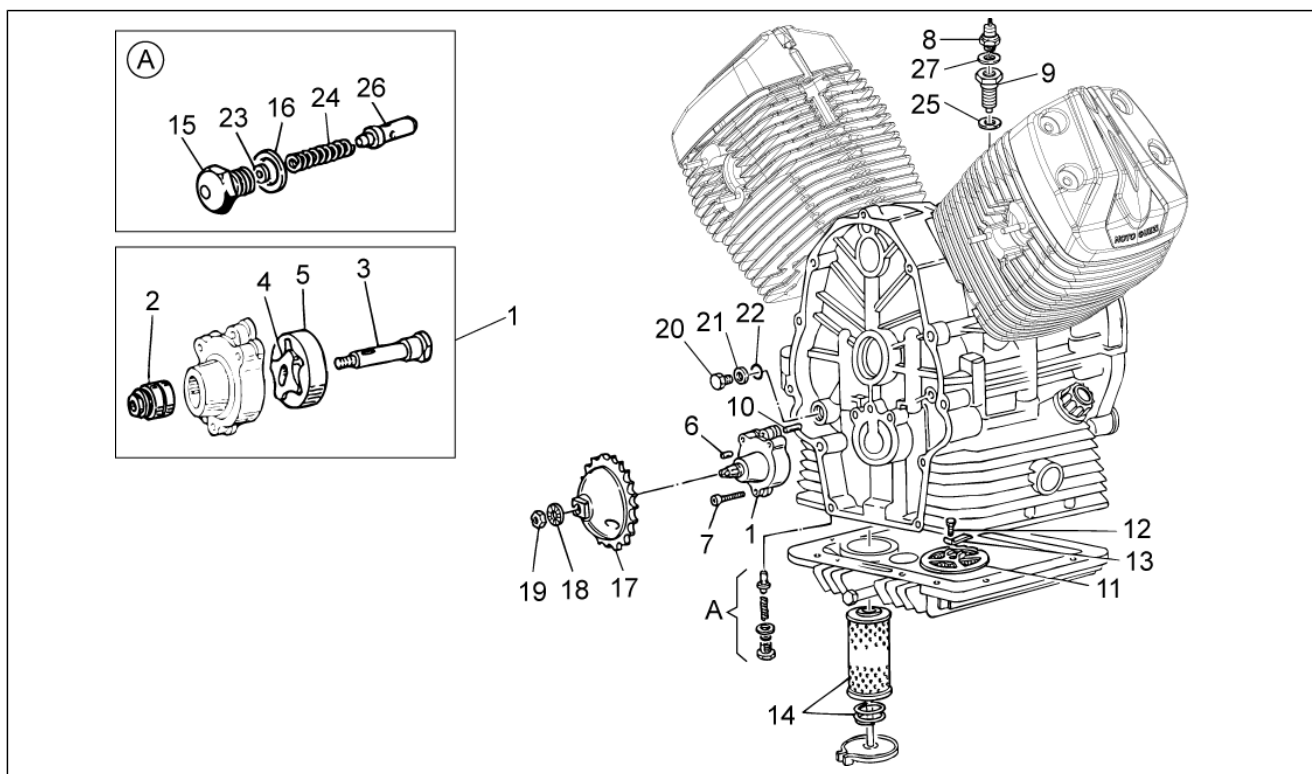
Pos.	Code	Beschrijving	Aant.	Varianten
1	2A000146	Aanzuigklep	2	
2	2A000147	Exhaust valve	2	
3	GU23217800	Sluiring veiligheid	2	
4	GU27037521	Veer	4	
5	GU31038015	Schijf bov.	4	
6	GU61038100	Halfconus	8	
7	GU19030500	Balanceringen	4	
8	GU19034000	Bout	4	
9	GU92602406	Moer M6x1	4	
10	GU19032080	Pin balancering	2	
11	GU32032310	Schraapring	4	
12	GU90271018	Seegerring	4	
13	GU31037015	Schijf ond.	4	
14	GU19032980	Dikte	4	
15	2B000579	Mof	2	
16	GU32053410	Nokkenas	1	
17	GU32054510	Raderw.distrib.	1	
18	GU61054900	Schroefbout	2	
19	GU19058021	Distributieketting	1	
20	GU19058220	Kettingspanner distr.	1	
21	GU98882316	Bout	1	
22	GU95129115	Sluiring	1	
23	GU19055700	Sector blokk.	2	
24	GU90353029	Elastische ring	1	
25	GU19045861	Kleplicht.	4	
26	GU31045015	Staaft balanceringen	4	
27	887528	Geluidswiel	1	
28	GU98054422	Bout M8x22	1	

Groep	ENGINE
Code	34.38
Beschrijving	Timing system
Revisie	1



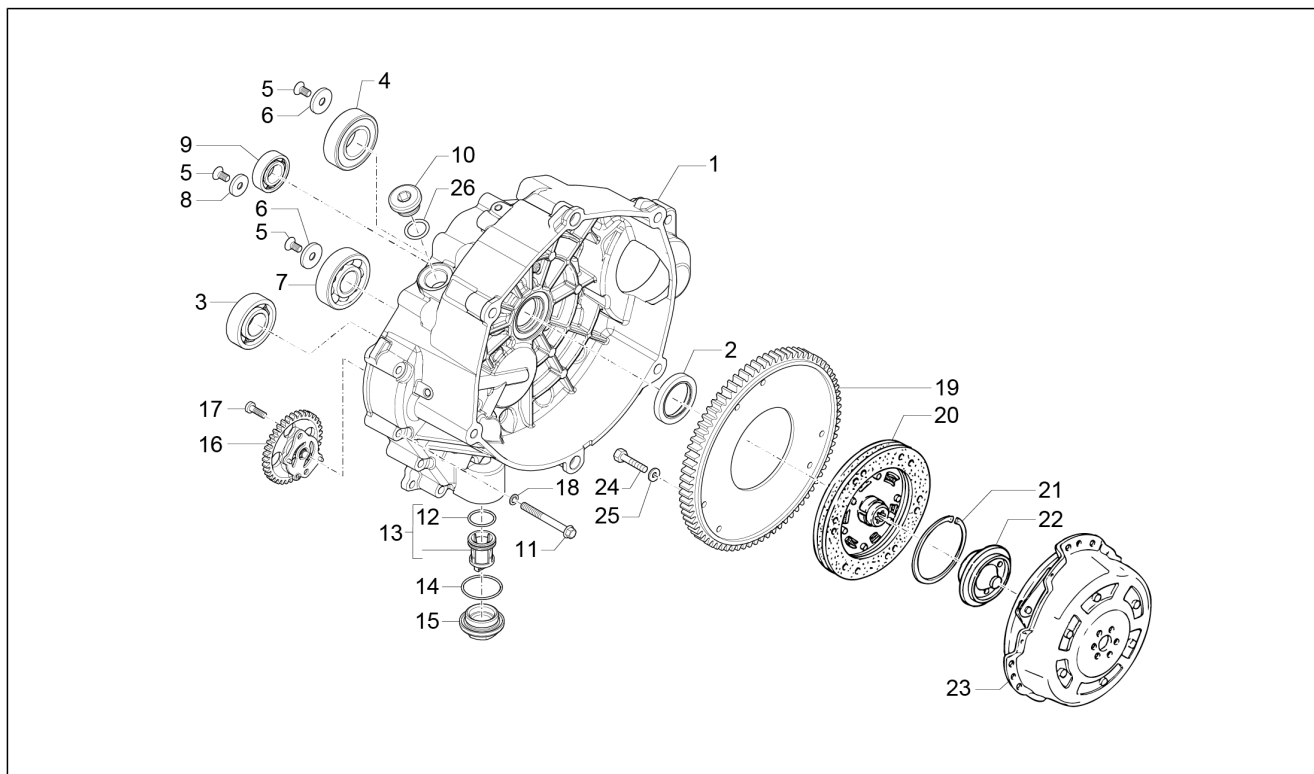
Pos.	Code	Beschrijving	Aant.	Varianten
29	GU95100244	Sluitring	1	

Groep	ENGINE
Code	34.39
Beschrijving	Oil pump
Revisie	1



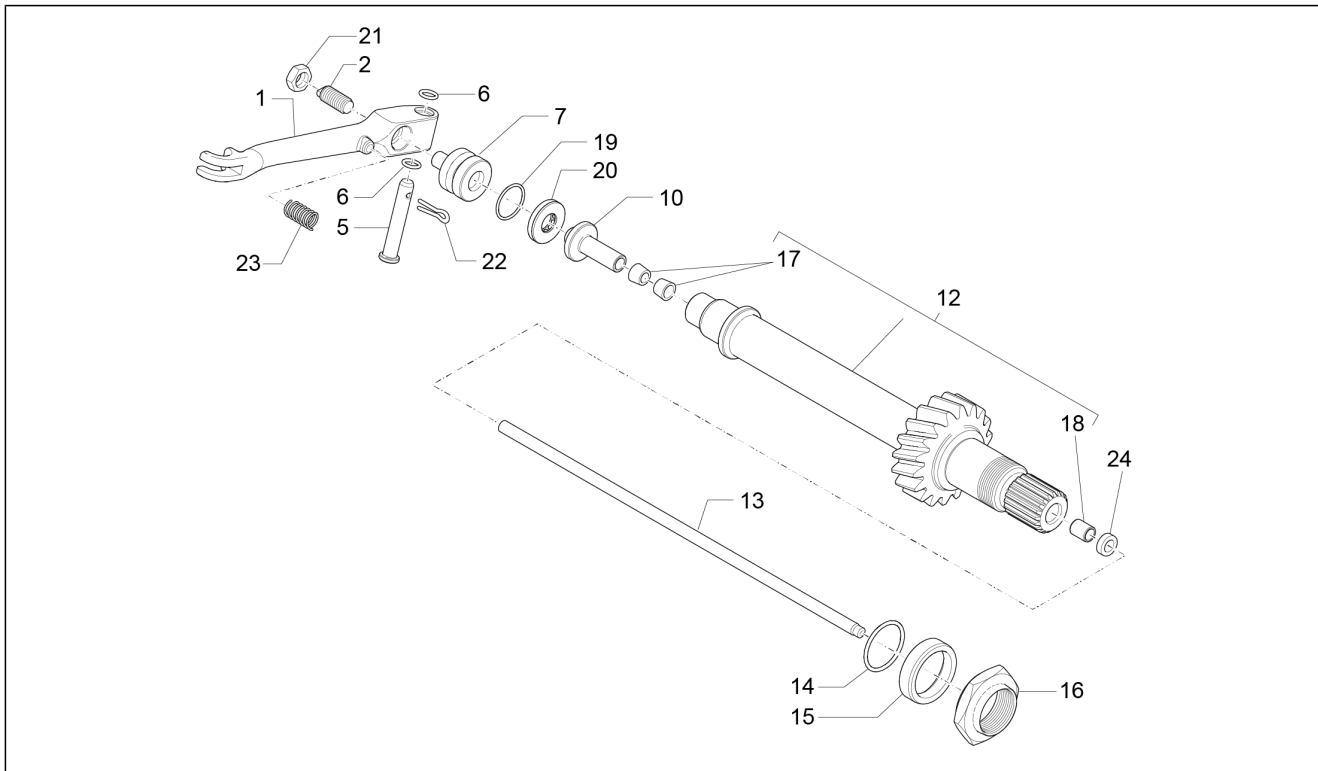
Pos.	Code	Beschrijving	Aant.	Varianten
1	GU19146422	Oliepomp	1	
2	GU92252210	Rollager 10x22x20	1	
3	GU20147810	As oliepom	1	
4	GU20148410	Rotor int.	1	
5	GU20148610	Rotor ext.	1	
6	GU92296723	Rol	1	
7	884039	Binnenzeskantbout M6x35	3	
8	641541	Sensor oliedruk	1	
9	887093	Verbinding zender	1	
10	GU19018920	Plug	2	
11	GU19152200	Oliefilter	1	
12	GU98084314	Zeskantbout M6x14	1	
13	GU95187006	Plaatje	1	
14	GU27153085	Oliefilter	1	
15	GU31159050	Dop	1	
16	GU18144350	Sluitring 18,25x24x1	3	
17	GU20147710	Raderw.pomp	1	
18	AP8152220	Gekart. sluitring	1	
19	GU92602510	Moer M10x1,25	1	
20	GU31016050	Dop	1	
21	GU18161150	Pakking in aluminium 14,25	1	
22	GU90706111	OR-ring	1	
23	GU95008206	Sluitring 6,15x11x0,8	3	
24	GU94321079	Veer	1	
25	GU95100602	Pakking	1	
26	GU31159050	Zuigertje	1	
27	GU95100309	Sluitring	1	

Groep	ENGINE
Code	34.40
Beschrijving	Clutch I
Revisie	1



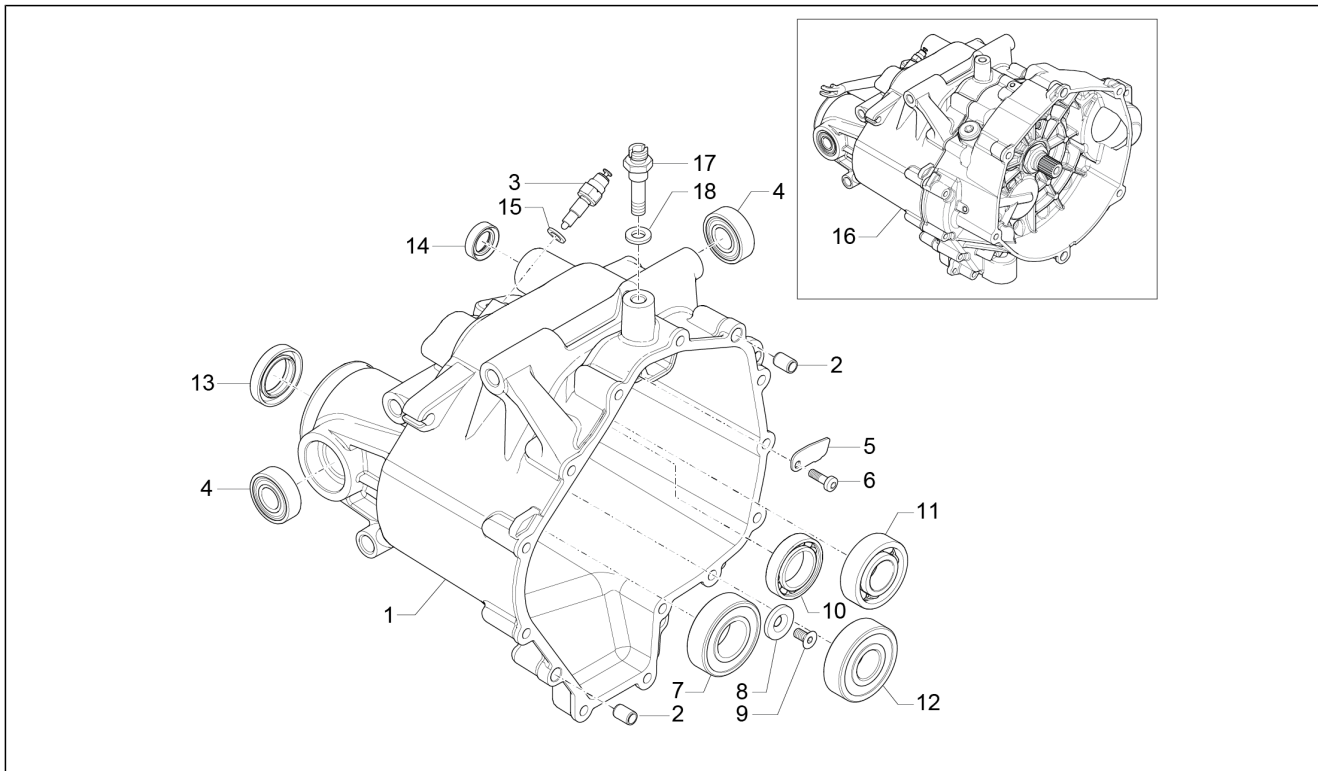
Pos.	Code	Beschrijving	Aant.	Varianten
1	2A0003794	Koppelingsblok	1	
2	886629	Dichtingsring	1	
3	848650	Kogellager 20x47x14	1	
4	GU92201226	Kogellager 25x52x15	1	
5	B013608	Bout TSEI	4	
6	873928	Rondel	3	
7	GU92201822	Kogellager 20x52x15	1	
8	873905	Rondel	1	
9	834764	Lager	1	
10	GU12022600	Oliedop	1	
11	AP8150045	Binnenzeskantbout M6x55	14	
12	B017406	OR-ring 20.35x1.78	1	
13	B018020	Oliefilter cpl.	1	
14	285536	OR-ring 31,47x1,78	1	
15	B015598	Dop oliefilter	1	
16	B018448	Oliepomp cpl.	1	
17	2A000241	Bout torx M5x16	2	
18	GU95008306	Sluitring 6,4x12x1,2	14	
19	GU32067910	Kroon	1	
20	GU32084410	Schijf koppeling geleid	1	
21	GU90272075	Elastische ring	1	
22	GU19083462	Plaatje koppeling	1	
23	GU32080310	Koppeling	1	
24	884038	Zeskantbout M6x16	6	
25	GU14217901	Gekart. sluitring 6,4x10x0,7	6	
26	GU90706203	OR-ring 20,24X2,62	1	

Groep	ENGINE
Code	34.41
Beschrijving	Clutch II
Revisie	1



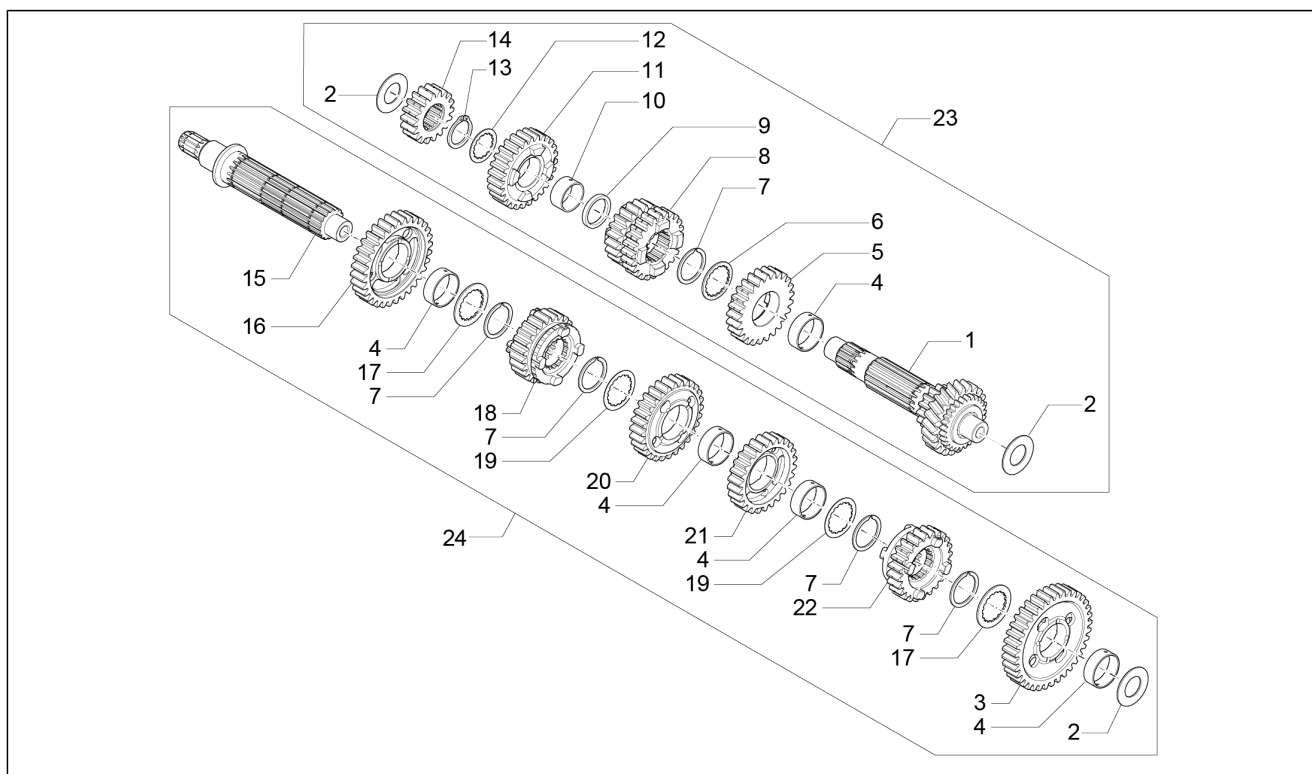
Pos.	Code	Beschrijving	Aant.	Varianten
1	2A000383	Ontkoppelingshendel koppeling	1	
2	GU14090400	Registerbout	1	
5	2A000384	Pin hendel	1	
6	2A000385	O-ring 6.5x1.5	2	
7	GU14086100	Externe romnp	1	
10	B013037	Romp int.koppeling	1	
12	2A000204	Koppelingsas Z=18	1	
13	2A000216	Commandostaaf	1	
14	GU90706235	O-ring 23,52x1,78	1	
15	GU19213760	Afstandhouder	1	
16	GU19356760	Veiligheidsmoer	1	
17	GU14085900	Huls	2	
18	GU05217630	Beslagring	1	
19	GU90706170	O-ring 17,13x2,62	1	
20	2A000376	Lager drukst.	1	
21	GU92606508	Moer	1	
22	GU95500222	Splitpen	1	
23	GU94321105	Trekveer hendel	1	
24	2A000378	Dichtingsring	1	

Groep	ENGINE
Code	34.42
Beschrijving	Transmission cage
Revisie	1



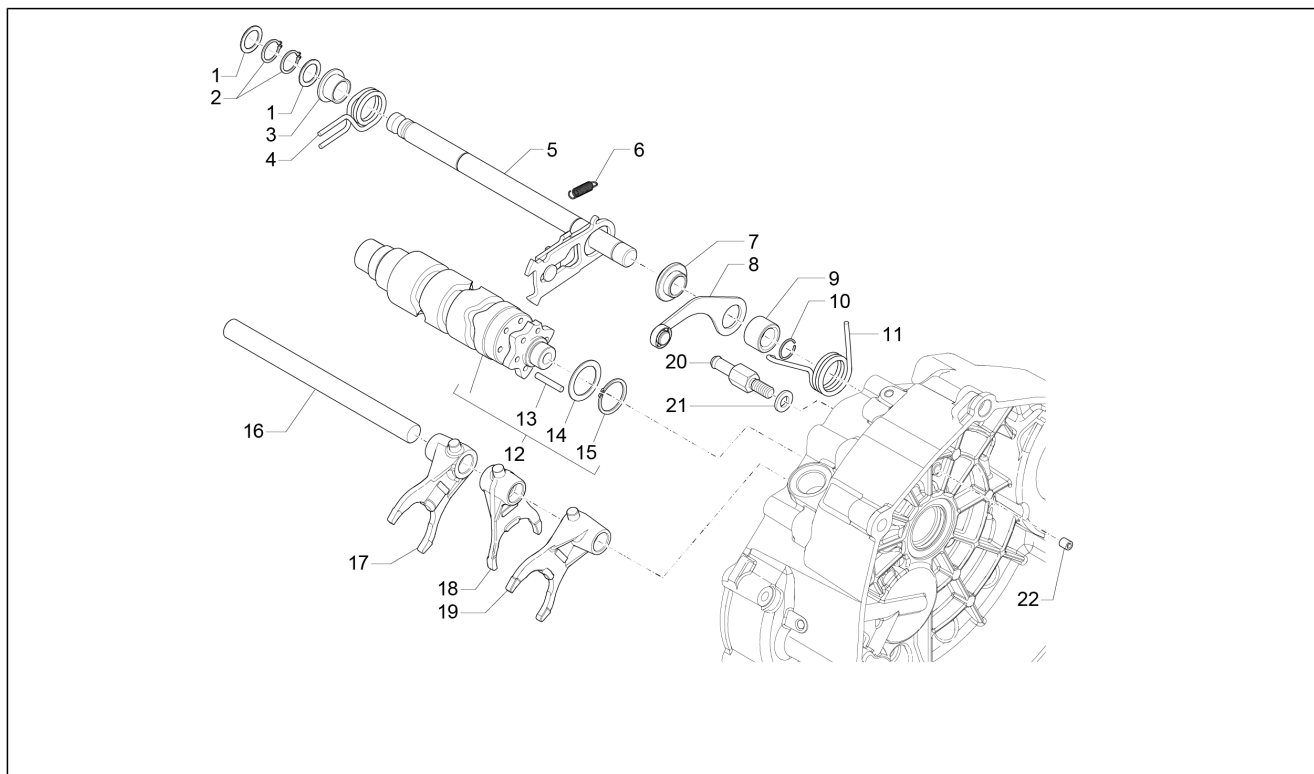
Pos.	Code	Beschrijving	Aant.	Varianten
1	2A000210	Doos versn.bak	1	
2	GU19002020	Beslagring 6,6x9x13	2	
3	B063269	Sensor vrij	1	
4	2A000097	Kogellager 6202-2RSH/C3 LHT23	2	
5	2A000306	Plaatje blokk.	1	
6	2A000241	Bout torx M5x16	1	
7	GU92201226	Kogellager 25x52x15	1	
8	873928	Rondel	1	
9	B013608	Bout TSEI	1	
10	857250	Kogellager 25x42x9	1	
11	2A000375	Kogellager	1	
12	GU92201822	Kogellager 20x52x15	1	
13	GU90412541	Dichtingsring 25X40X7	1	
14	GU90401424	Dichtingsring 14x24x7	1	
15	B063025	Pakking 8,7x14,2x1,3	1	
16	2A000196	Versnellingsbak cpl.	1	
17	2A000438	Dop ontluchting	1	
18	GU01528930	Pakking 10x18x1,5	1	

Groep	ENGINE
Code	34.43
Beschrijving	Gear box
Revisie	1



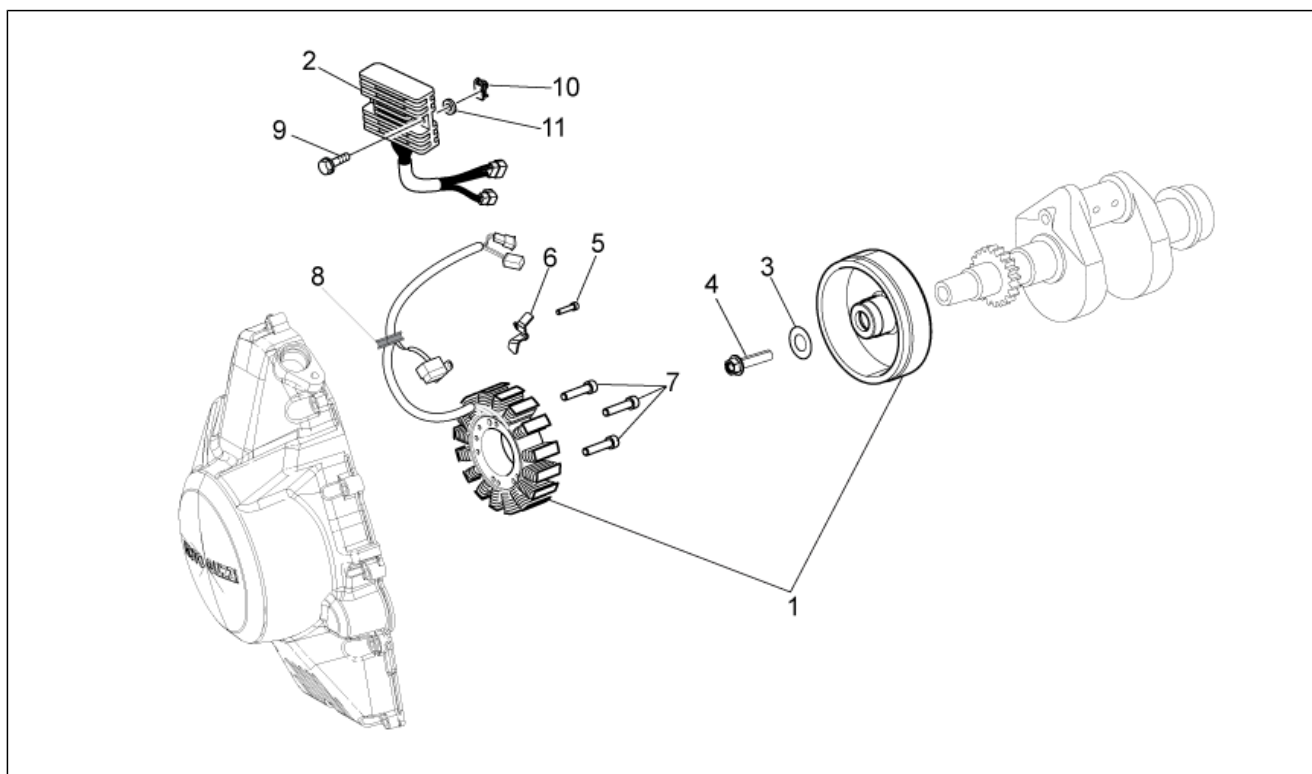
Pos.	Code	Beschrijving	Aant.	Varianten
1	2A000230	Primaire as	1	
2	1A000566	Rondella di spallamento	3	
3	B017470	1st gear	1	
4	849308	Zwevende beslagring	5	
5	1A000360	Raderwerk 5de snelheid'	1	
6	849424	Steunende sluitring	1	
7	1A002604	Elastische ring voor assen	5	
8	1A000436	Sliding pinion 3a - 4a vel.	1	
9	B015040	Rondella di spallamento	1	
10	974162	Zwevende beslagring	1	
11	1A000361	Raderw.6e op prim.	1	
12	849396	Steunende sluitring	1	
13	974165	Elastische ring	1	
14	1A000365	Raderw.2e op prim.	1	
15	2A000203	Albero cambio secondario	1	
16	1A000366	Gear Z=32	1	
17	849309	Steunende sluitring	2	
18	1A000370	Raderw. 6e Z=24	1	
19	849310	Steunende sluitring	2	
20	1A000367	Gear Z=28	1	
21	1A000368	Gear Z=26	1	
22	1A000369	Gear wheel Z=24	1	
23	2A000199	Complete primaire as	1	
24	2A000202	Complete secundaire as	1	

Groep	ENGINE
Code	34.44
Beschrijving	Gear box selector
Revisie	1



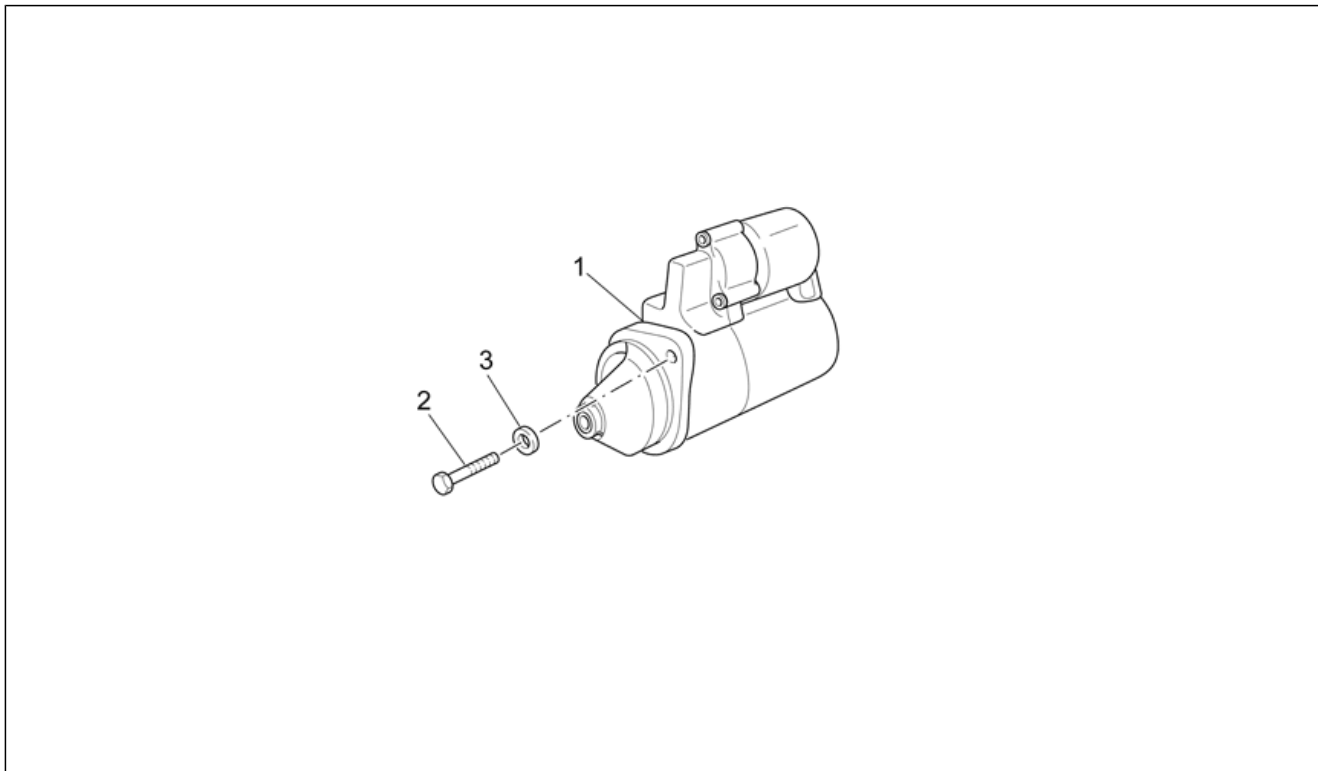
Pos.	Code	Beschrijving	Aant.	Varianten
1	GU05239330	Koppelschotel	2	
2	GU90271014	Seegerring	2	
3	GU05238131	Afstandhouder	1	
4	B063956	Trekveer schakelaar	1	
5	2A000219	Voorschakelaar cpl.	1	
6	GU05238231	Veer	1	
7	GU05238431	Beslagring	1	
8	B064112	Hendel index cpl.	1	
9	GU05234230	Afstandhouder	1	
10	GU90353014	Seegerring	1	
11	B064113	Veer index	1	
12	2A000222	Shift cam cpl.	1	
13	GU05234631	Pin	6	
14	GU05235531	Dikte	1	
15	GU90271022	Seegerring	1	
16	2A000224	Staaf	1	
17	2A000226	Vork 2-3 snelh.	2	
18	2A000227	Forchetta 5-6 v.tà	1	
19	2A000225	Forchetta per albero secondario	1	
20	2A000416	Vite di fermo	1	
21	B063025	Pakking 8,7x14,2x1,3	1	
22	862560	Speciale moer	1	

Groep	ENGINE
Code	34.45
Beschrijving	Generator - Regulator
Revisie	1



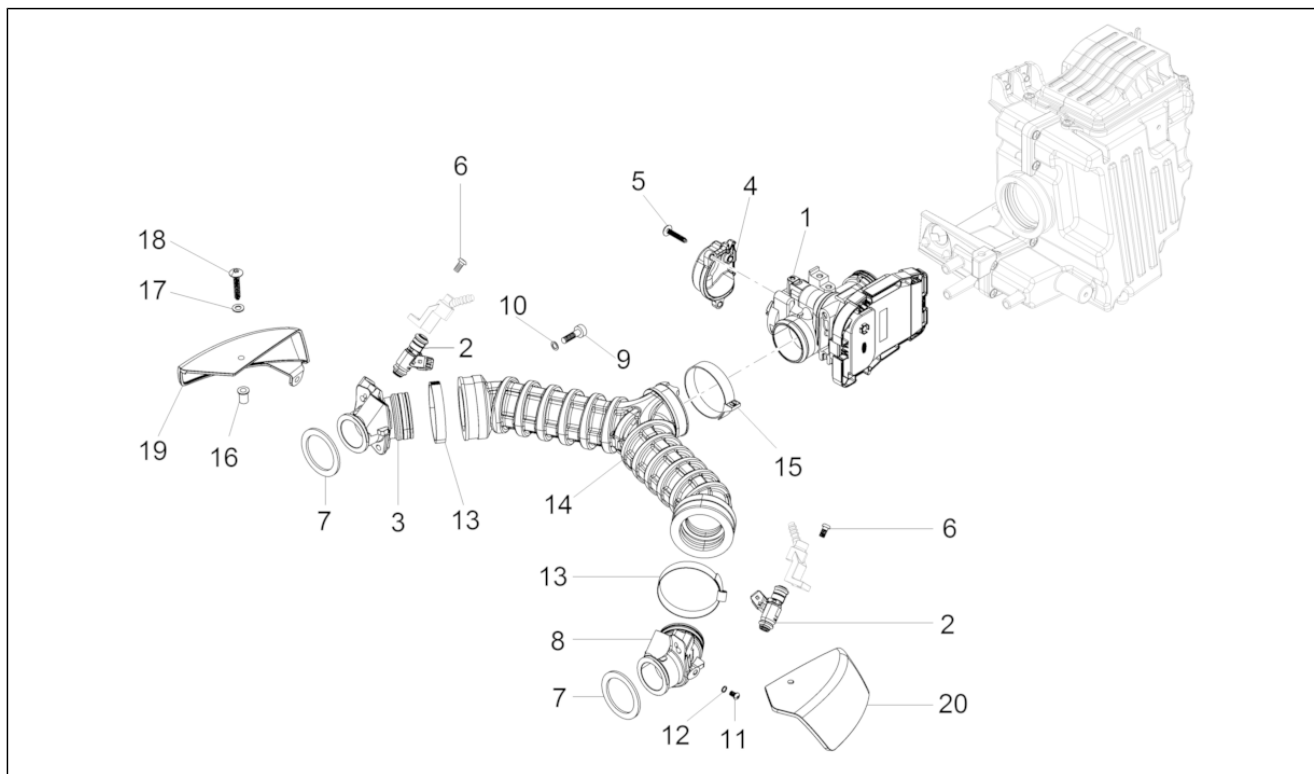
Pos.	Code	Beschrijving	Aant.	Varianten
1	2D000024	Vliegwielmagneet cpl.	1	
2	2D000043	Spanningsregelaar	1	
3	897478	Rondel 12x26.5x3	1	
4	857206	Zeskantbout geflenst M12X1,25X50	1	
5	GU98682212	Binnenzeskantbout M5x12	1	
6	2A000115	Plaatje	1	
7	2A000129	Binnenzeskantbout verlaagd M6x35	3	
8	GU19007700	Rubbetje	1	
9	AP8152281	Zeskantbout geflenst M6x30	2	
10	254485	Spring plate M6	2	
11	GU95100125	Sluitring	2	

Groep	ENGINE
Code	34.46
Beschrijving	Starter motor
Revisie	1



Pos.	Code	Beschrijving	Aant.	Varianten
1	GU05730730	Startmotor Bosch	1	
2	GU98682435	Binnenzeskantbout	2	
3	GU95008208	Sluitring 8,4X15X1,5	2	

Groep	ENGINE
Code	34.47
Beschrijving	Throttle body
Revisie	1



Pos.	Code	Beschrijving	Aant.	Varianten
1	CM228306	Elektronische centrale voor de injectie	1	
2	B063049	Injector	2	
3	GU32115010	Pijp aanz. re	1	
4	880260	Bescherming romp v.	1	
5	B016796	Bolschroef torx	3	
6	AP8152298	Bolbout met binnenzeskant, geflenst M5x16	2	
7	GU32115510	Pakking	2	
8	GU32115011	Pijp aanz. li	1	
9	GU98622322	Bout	4	
10	GU03013800	Sluitring 6,4x12	4	
11	884029	Bolbout met binnenzeskant M6x10	2	
12	GU95100116	Sluitring 6,25x10x1,5	2	
13	884311	Klemmetje D.61	2	
14	2B001031	Mof smooklephuis	1	
15	884310	Klemmetje D.55	1	
16	GU93231605	Huls antitrilling	4	
17	GU30577800	Sluitring in nylon 5,5X12X1	4	
18	GU98370515	Bout	4	
19	2B000971	Bedekking re	1	
20	2B000972	Bedekking li	1	